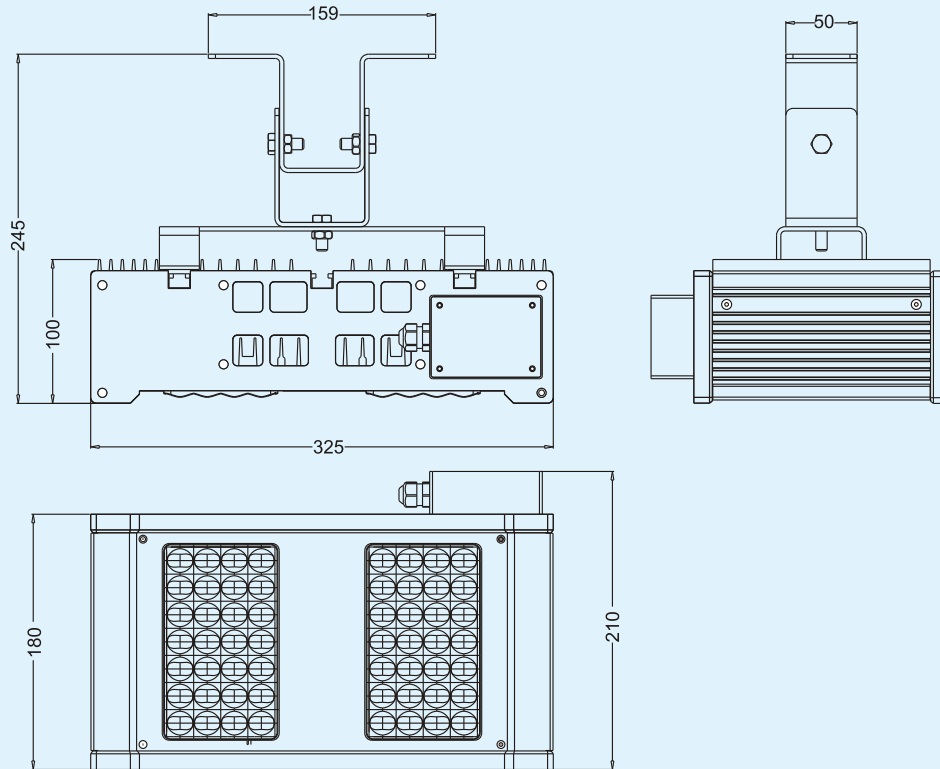
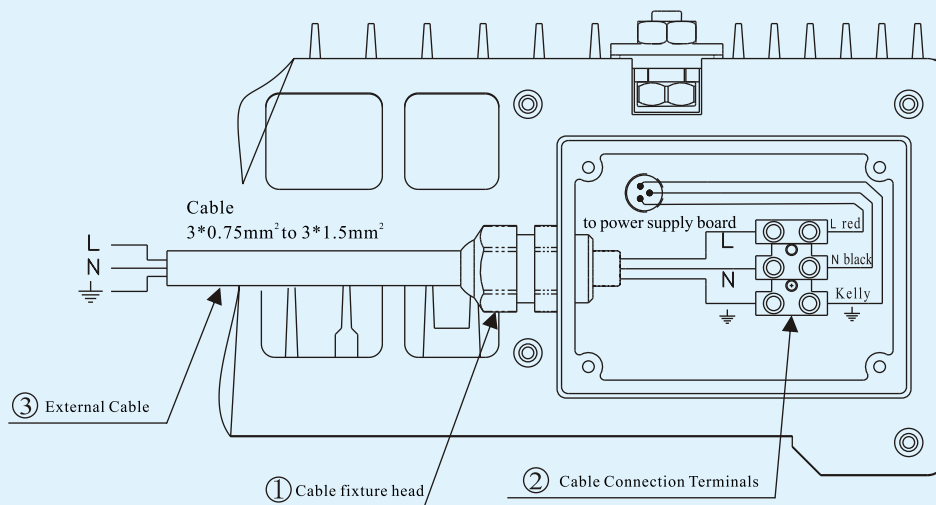


Installation Method

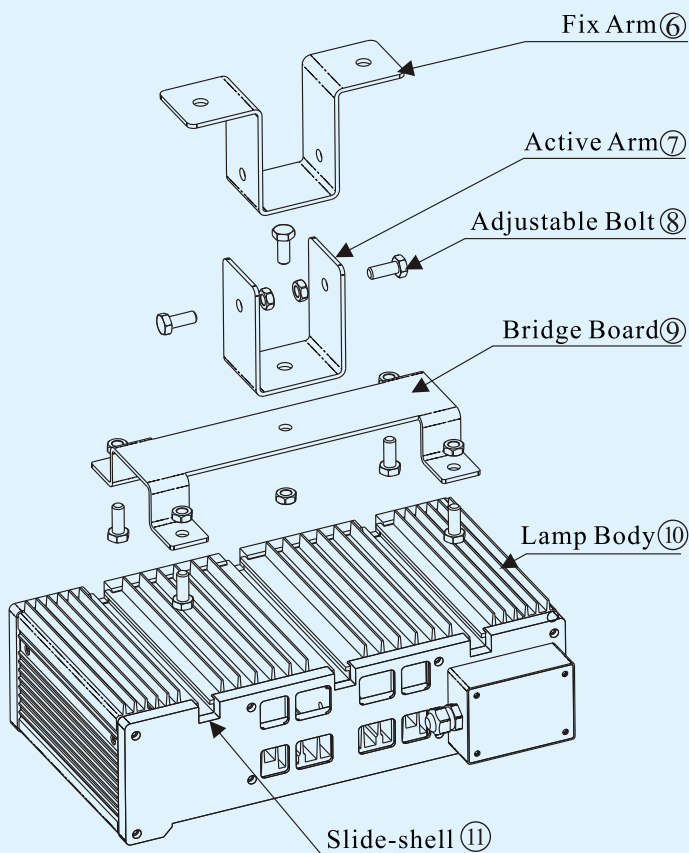
Figure



Connection Sketch map

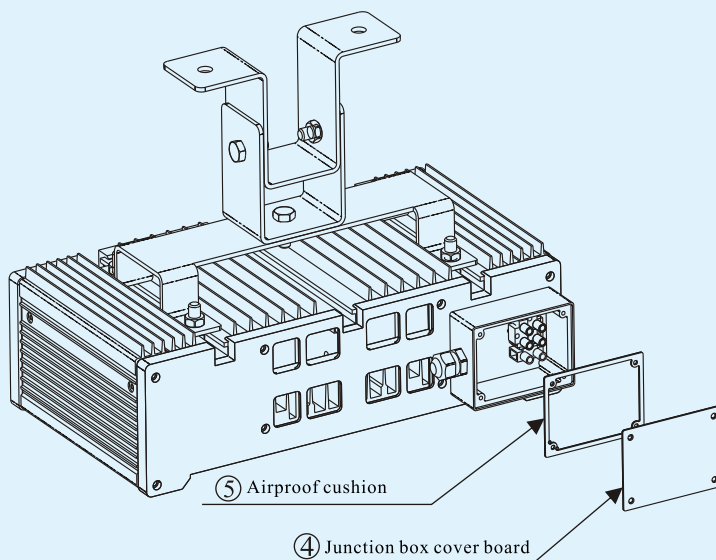


Installation Manual



- 1.lock the fixed arm ⑥ on the needed position, space between two fix arm is 120mm, the diameter of the hole is 10mm.
- 2.Put the Activity Arm ⑦ into the Bridge Board, locking it with M8 nut.
- 3.Put the Bridge Board ⑨ which has connected the Active Arm ⑦ into the Lamp Body ⑩, (then put 4M8 bolts of the Bridge board ⑨ into the slide trough ⑪ on the back of lamp Body ⑩ then locking 4 M8 nuts).
- 4.put the Lamp Body ⑩ Which has mount fittings connect to the Fix Arm ⑥, (according to regulate the Bolt ⑧ connect the Active Arm ⑦ and Fix Arm ⑥ and locking the regulating Bolt). if need to adjust the angle, it could loosen the two Adjustable Bolts ⑧, turn the lamp Body ⑩ to right location, then locking the Nut.

Connection introduction



- 1.Demount the Power junction box cover board ④ and airproof cushion ⑤.
- 2.Put the External Cable ③ into the power connection box through the Cable fixture head ①.
- 3.Decorticate 6mm at the head of Cable ③, Put respectively the Live Wire, Zero line, earth line correspondingly connect to the Cable Connection Terminals ② and locking the screw.
- 4.Locking the Cable fixture head ① (the Cable should have sufficient length to prevent break off in Power connection box.)
- 5.Finally to check and mount the Power connection box cover board ④ (notice to keep airproof).