

# Seevision Technologies Inc.

*Making America Greener One Light At A Time*

## **LED RECESSED & DOWN LIGHT PRODUCTS**

### 10 WATT RETROFIT AR111 DOWN LIGHT LED LAMP



SVT-AR111-10W

## **APPLICATIONS**

Direct replacement of AR111 type halogen, incandescent and compact fluorescent lamps up to 75 Watts.

LED Replacement Solution For Existing AR111 Lamps

Interior Spot & Flood Lighting (available in both wide & narrow beam angles)

Office / Retail / Showcase & Display Lighting

Wall Washing / Accent & Decorative Lighting

**NEW YORK**  
**516 - 754 - 8328**

**EMAIL US**  
[sales@seevisiontechnologies.com](mailto:sales@seevisiontechnologies.com)

**FLORIDA**  
**352 - 597 - 9025**

**FEATURES & BENEFITS**

Lighting Energy Cost Savings	Energy consumption up to 80% less than standard AR111 type lamps.
Air Conditioning Energy Cost Savings	Generates very low heat; reducing Air Conditioning energy consumption.
Replacement Lamp & Labor Cost Savings	Life duration is over 50,000 Hours; 10-20X longer than standard AR111 type lamps.
Quick & Easy Plug & Power Installation	Installs directly into existing fixtures using the standard AR111 type lamp connectors.
Durable & Safe Lamp Design	Impact resistant & shock-proof design; no fragile glass for improved safety & durability.
Bright & Clean Light Emittance	High color rendering index; over 10X the brightness per watt of standard AR111 type lamps.
Environmentally Safe & Recyclable	Contains no harmful gases, mercury, sodium, lead or UV radiation (100% recyclable).
Green Rebates & Incentives	Qualifies for many Federal, State, Local Government & Utility based rebates & incentives.

**TECHNICAL SPECIFICATIONS**

Power Consumption	10 Watts		
Input Voltage	12V AC / DC		
Base Type	Standard AR111 Type Connection		
Life Duration	50,000 Hours		
Light Beam Angle	25° Beam		
	40° Beam		
Emission Color	Cool White	6000K	
	Neutral White	4000K	
	Warm White	3000K	
Lumen Output (lux @ 1m)	<b>COLOR</b>	<b>25° BEAM</b>	<b>40° BEAM</b>
	Cool White	3700	1900
	Neutral White	2700	1650
	Warm White	2400	1400
Color Rendering Index (CRI)	75 / 90		
Absolute Maximum Ratings	LED Junction Temperature	125 °C	
	Plastic Housing Temp.	80 °C	
	Operating Temperature	-30 ~ +40 °C	
	Storage Temperature	-40 ~ +60 °C	
	Equilibrium Temperature	55 °C	
	Surface Temperature	60 °C	
Housing Color Options	Black / White		
Dimensions (W x H)	111mm x 56mm		

**TECHNICAL SPECIFICATIONS (continued)**

Weight	215g
Certifications	CE, RoHS, FCC, EMC, UL

**DIMENSIONS**

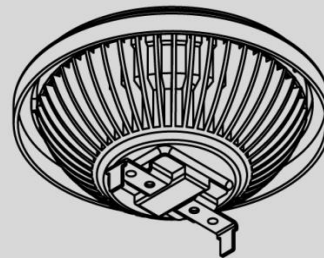
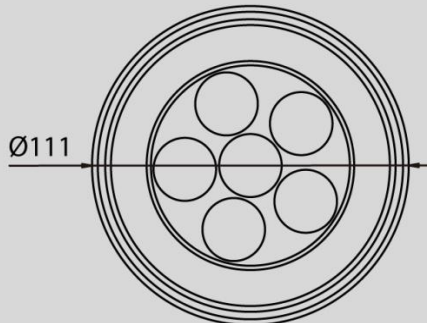
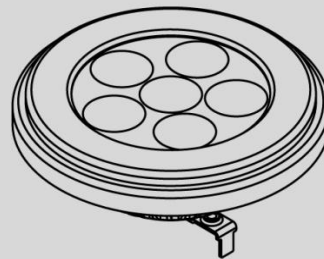
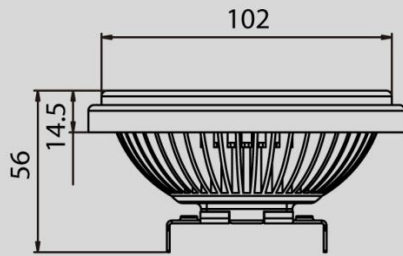


Figure 1: AR111 dimensions

Figure 2: AR111 dimensions

<b>NEW YORK</b> 516 - 754 - 8328	<b>EMAIL US</b> <a href="mailto:sales@seevisiontechnologies.com">sales@seevisiontechnologies.com</a>	<b>FLORIDA</b> 352 - 597 - 9025
-------------------------------------	---------------------------------------------------------------------------------------------------------	------------------------------------