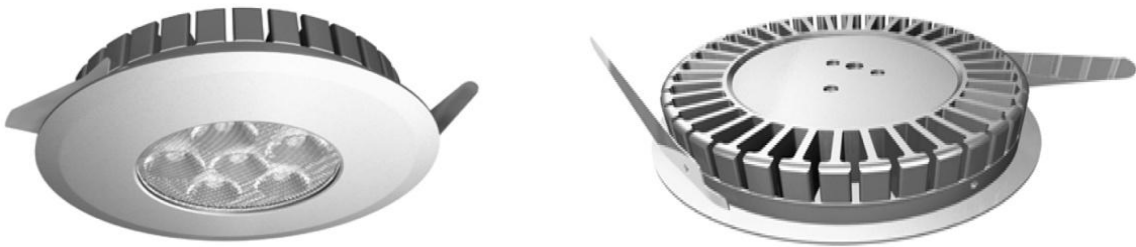


Seevision Technologies Inc.

Making America Greener One Light At A Time

LED RECESSED & DOWN LIGHT PRODUCTS

10 WATT INTEGRATED RECESSED DOWN LIGHT LED LAMP



SVT-DLF26-10W

APPLICATIONS

Integrated lamp & fixture designed for a stylish and space saving alternative to halogen, incandescent & compact fluorescent lamps up to 75 Watts.

All-Inclusive Recessed Down Light LED Solution / Ideal for Tight Spaces

Interior Spot & Flood Lighting (available in both wide & narrow beam angles)

Office / Retail / Showcase & Display Lighting

Wall Washing / Accent & Decorative Lighting

NEW YORK
516 - 754 - 8328

EMAIL US
sales@seevisiontechnologies.com

FLORIDA
352 - 597 - 9025

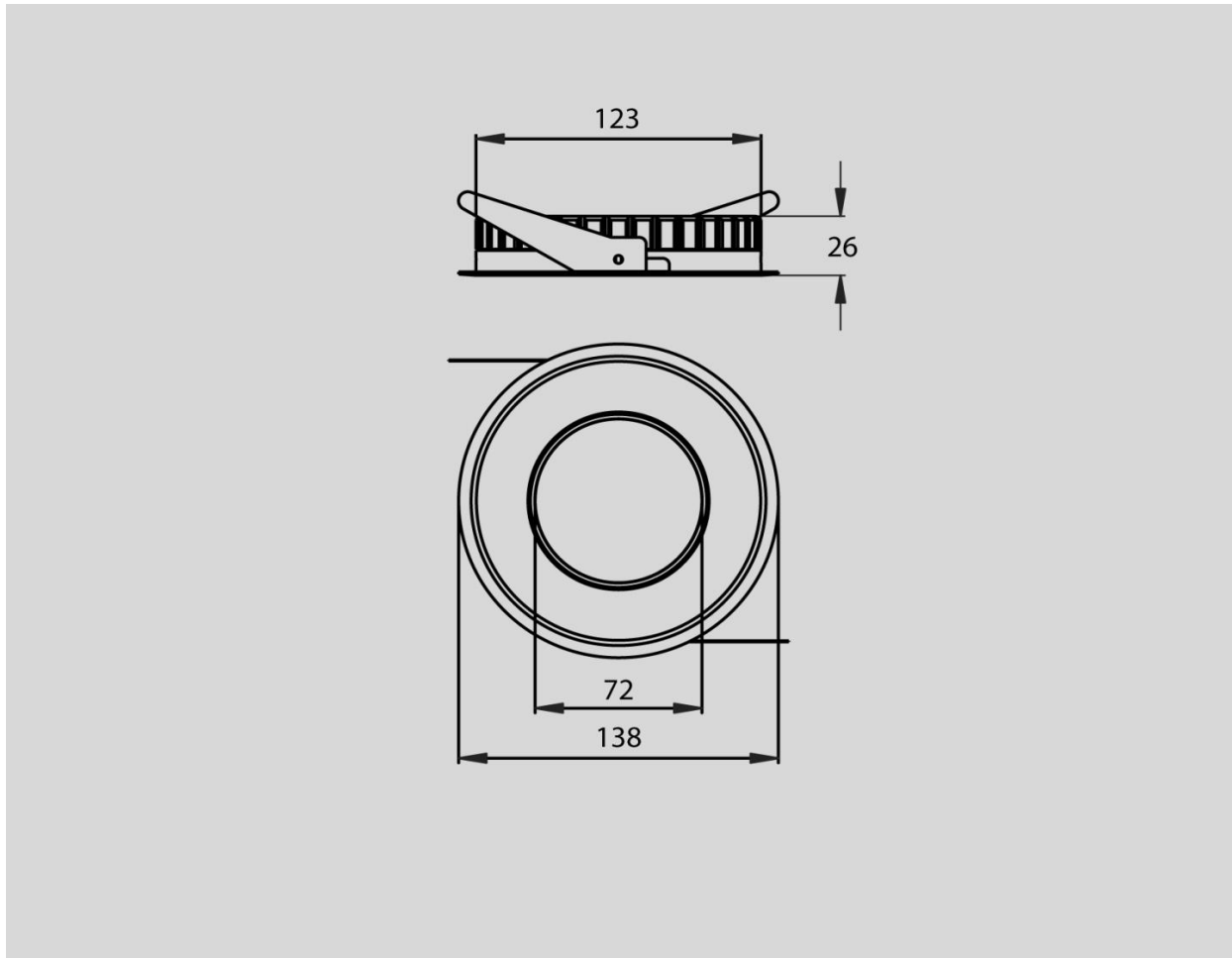
FEATURES & BENEFITS

Lighting Energy Cost Savings	Energy consumption up to 80% less than standard Down Light type lamps.
Air Conditioning Energy Cost Savings	Generates very low heat; reducing Air Conditioning energy consumption.
Replacement Lamp & Labor Cost Savings	Life duration is over 50,000 Hours; 10-20X longer than standard Down Light type lamps.
All-In-One Lamp & Fixture For Quick & Easy Installation	Installs in 3 easy steps 1. Cut hole 2. Connect the power 3. Twist Lock in place.
Durable & Safe Lamp Design	Impact resistant & shock-proof design; no fragile glass for improved safety & durability.
Bright & Clean Light Emittance	High color rendering index; over 10X the brightness per watt of standard Down Light type lamps.
Environmentally Safe & Recyclable	Contains no harmful gases, mercury, sodium, lead or UV radiation (100% recyclable).
Green Rebates & Incentives	Qualifies for many Federal, State, Local Government & Utility based rebates & incentives.

TECHNICAL SPECIFICATIONS

Power Consumption	10 Watts		
Input Voltage	100-240V AC		
Driver	500ma / 12W		
Life Duration	50,000 Hours		
Light Beam Angle	25° Beam		
	40° Beam		
Emission Color	Cool White	6000K	
	Neutral White	4000K	
	Warm White	3000K	
Lumen Output (lux @ 1m)	COLOR	25° BEAM	40° BEAM
	Cool White	2850	1650
	Neutral White	2400	1300
	Warm White	2000	1000
Color Rendering Index (CRI)	Ra>90		
Surface Temperature	56 °C		
Dimensions (W x H)	138mm x 26mm		
Weight	390g		
Certifications	CE, RoHS, UL Pending		

DIMENSIONS



NEW YORK
516 - 754 - 8328

EMAIL US
sales@seevisiontechnologies.com

FLORIDA
352 - 597 - 9025