

Seevision Technologies Inc.

Making America Greener One Light At A Time

LED SPOT LIGHT PRODUCTS

5 WATT GU10 LED LAMP



SVT-GU10SP-5W

APPLICATIONS

Direct replacement of GU10 type halogen, incandescent and compact fluorescent lamps up to 50 Watts.

Interior Commercial Spot & Down Lighting

Display & Showcase Lighting

Architectural & Landscape Lighting

Decorative & Accent Lighting

NEW YORK
516 - 754 - 8328

EMAIL US
sales@seevisiontechnologies.com

FLORIDA
352 - 597 - 9025

FEATURES & BENEFITS

Lighting Energy Cost Savings	Energy consumption up to 80% less than standard GU10 type lamps.
Air Conditioning Energy Cost Savings	Generates very low heat; reducing Air Conditioning energy consumption.
Replacement Lamp & Labor Cost Savings	Life duration is over 50,000 Hours; 10-20X longer than standard GU10 type lamps.
Quick & Easy Plug & Power Installation	Installs directly into existing fixtures using the standard Bi-Pin GU10 type lamp base.
Durable & Safe Lamp Design	Impact resistant & shock-proof design; no fragile glass for improved safety & durability.
Bright & Clean Light Emittance	High color rendering index; over 10X the brightness per watt of standard GU10 type lamps.
Environmentally Safe & Recyclable	Contains no harmful gases, mercury, sodium, lead or UV radiation (100% recyclable).
Green Rebates & Incentives	Qualifies for many Federal, State, Local Government & Utility based rebates & incentives.

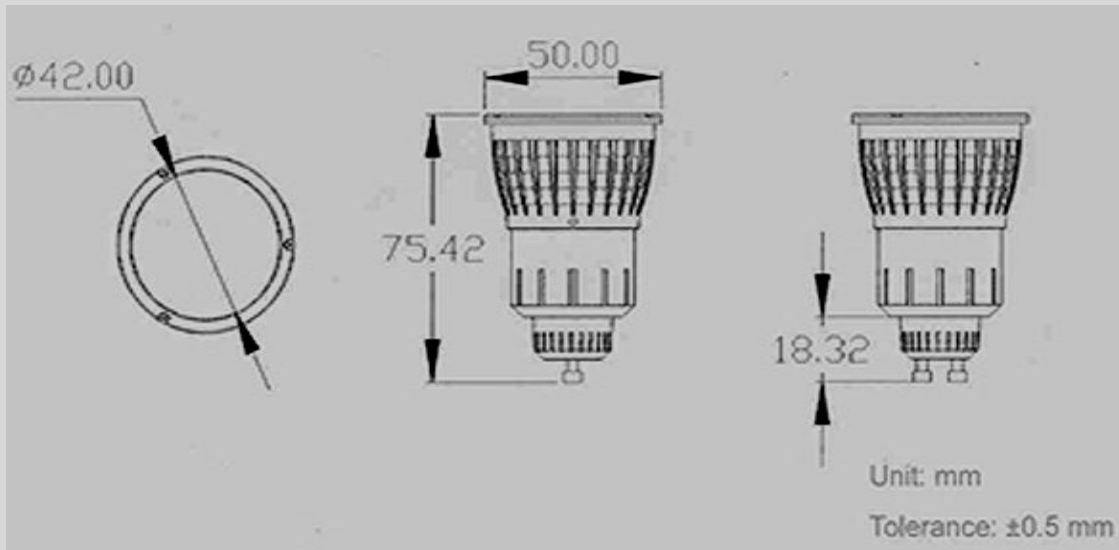
TECHNICAL SPECIFICATIONS

Power Consumption	5 Watts			
Input Voltage	90-240V AC			
Base Type	Standard Bi-Pin GU10 Twist-Lock			
Life Duration	50,000 Hours			
Light Beam Angle	10° Beam			
	38° Beam			
	60° Beam			
Emission Color	Cool White	6000K		
	Neutral White	4000K		
	Warm White	3000K		
	Red	625nm		
	Amber	590nm		
	Green	525nm		
Lumen Output (lux @ 1m)	Blue	465nm		
	COLOR	10° BEAM	38° BEAM	60° BEAM
	Cool White	1050	550	65
	Neutral White	900	450	50
Warm White	700	300	40	

TECHNICAL SPECIFICATIONS (continued)

Absolute Maximum Ratings	LED Junction Temperature	125 °C
	Plastic Bottom Temperature	50 °C
	Operating Temperature	-30 ~ +40 °C
	Storage Temperature	-40 ~ +60 °C
	Heatsink Temperature	75 °C
	Input Voltage	90-240V AC
Materials	Aluminum die casting / PBT	
Dimensions (W x H)	50mm x 75.42mm	
Certifications	CE, RoHS, FCC	

DIMENSIONS



NEW YORK
516 - 754 - 8328

EMAIL US
sales@seevisiontechnologies.com

FLORIDA
352 - 597 - 9025