

# Seevision Technologies Inc.

*Making America Greener One Light At A Time*

## **LED SPOT LIGHT PRODUCTS**

### 5 WATT MR16 LED LAMP



SVT-MR16SP-5W

## **APPLICATIONS**

Direct replacement of MR16 type halogen lamps up to 50 Watts.

Interior Commercial Spot & Down Lighting

Display & Showcase Lighting

Track & Cabinet Lighting

Decorative & Accent Lighting

**NEW YORK**  
**516 - 754 - 8328**

**EMAIL US**  
[sales@seevisiontechnologies.com](mailto:sales@seevisiontechnologies.com)

**FLORIDA**  
**352 - 597 - 9025**

**FEATURES & BENEFITS**

Lighting Energy Cost Savings	Energy consumption up to 80% less than standard MR16 type lamps.
Air Conditioning Energy Cost Savings	Generates very low heat; reducing Air Conditioning energy consumption.
Replacement Lamp & Labor Cost Savings	Life duration is over 50,000 Hours; 10-20X longer than standard MR16 type lamps.
Quick & Easy Plug & Power Installation	Installs directly into existing fixtures using the standard Bi-Pin GU5.3 lamp base.
Durable & Safe Lamp Design	Impact resistant & shock-proof design; no fragile glass for improved safety & durability.
Bright & Clean Light Emittance	High color rendering index; over 10X the brightness per watt of standard MR16 type lamps.
Environmentally Safe & Recyclable	Contains no harmful gases, mercury, sodium, lead or UV radiation (100% recyclable).
Green Rebates & Incentives	Qualifies for many Federal, State, Local Government & Utility based rebates & incentives.

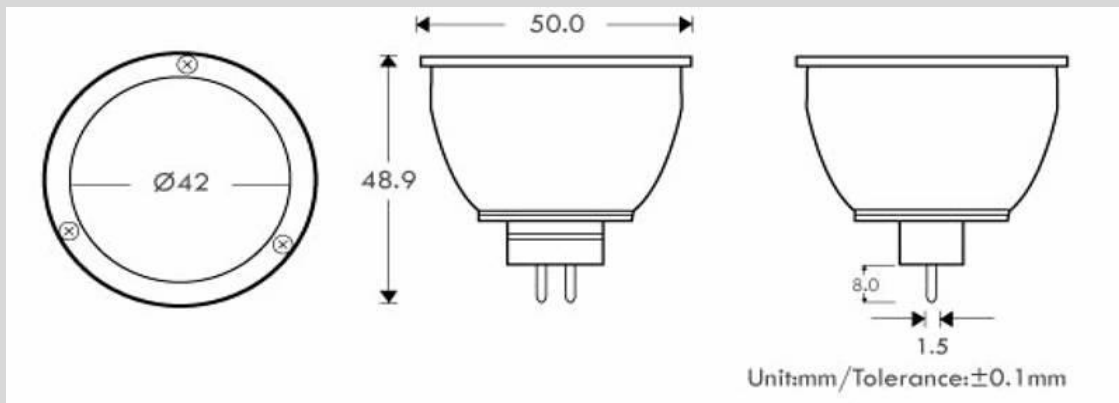
**TECHNICAL SPECIFICATIONS**

Power Consumption	5 Watts			
Input Voltage	12V AC / DC			
Base Type	Standard Bi-Pin GU5.3 (MR16)			
Life Duration	50,000 Hours			
Light Beam Angle	10° Beam			
	38° Beam			
	60° Beam			
Emission Color	Cool White	6000K		
	Neutral White	4000K		
	Warm White	3000K		
	Red	625nm		
	Amber	590nm		
	Green	525nm		
Lumen Output (lux @ 1m)	Blue	465nm		
	COLOR	10° BEAM	38° BEAM	60° BEAM
	Cool White	1100	600	70
	Neutral White	850	450	55
	Warm White	700	300	50
	Red	150	90	35
	Amber	150	90	35
	Green	500	160	90
	Blue	250	130	65

**TECHNICAL SPECIFICATIONS (continued)**

Absolute Maximum Ratings	LED Junction Temperature	125 °C
	Plastic Bottom Temperature	75 °C
	Operating Temperature	-30 ~ +40 °C
	Storage Temperature	-40 ~ +60 °C
	Heatsink Temperature	75 °C
	Input Voltage Root Mean Square	14V
Materials	Aluminum die casting / PBT	
Dimensions (W x H)	50mm x 48.9mm	
Certifications	CE, RoHS, FCC	

**DIMENSIONS**



**NEW YORK**  
516 - 754 - 8328

**EMAIL US**  
[sales@seevisiontechnologies.com](mailto:sales@seevisiontechnologies.com)

**FLORIDA**  
352 - 597 - 9025