

Seevision Technologies Inc.

Making America Greener One Light At A Time

LED RECESSED & DOWN LIGHT PRODUCTS

10 WATT PAR30 E26/E27 COMPACT LED LAMP



SVT-PAR30SPC-10W

APPLICATIONS

Direct replacement of PAR E26/E27 screw in type halogen, incandescent and compact fluorescent lamps up to 75 Watts.

High Hat & Canister Lamp LED Replacement Solution

Interior Spot & Flood Lighting (available in both wide & narrow beam angles)

Office / Retail / Showcase & Display Lighting

Wall Washing / Accent & Decorative Lighting

NEW YORK
516 - 754 - 8328

EMAIL US
sales@seevisiontechnologies.com

FLORIDA
352 - 597 - 9025

FEATURES & BENEFITS

Lighting Energy Cost Savings	Energy consumption up to 80% less than standard PAR type lamps.
Air Conditioning Energy Cost Savings	Generates very low heat; reducing Air Conditioning energy consumption.
Replacement Lamp & Labor Cost Savings	Life duration is over 50,000 Hours; 10-20X longer than standard PAR type lamps.
Quick & Easy Plug & Power Installation	Installs directly into existing fixtures using the standard E26/E27 screw in type lamp base.
Durable & Safe Lamp Design	Impact resistant & shock-proof design; no fragile glass for improved safety & durability.
Bright & Clean Light Emittance	High color rendering index; over 10X the brightness per watt of standard PAR type lamps.
Environmentally Safe & Recyclable	Contains no harmful gases, mercury, sodium, lead or UV radiation (100% recyclable).
Green Rebates & Incentives	Qualifies for many Federal, State, Local Government & Utility based rebates & incentives.

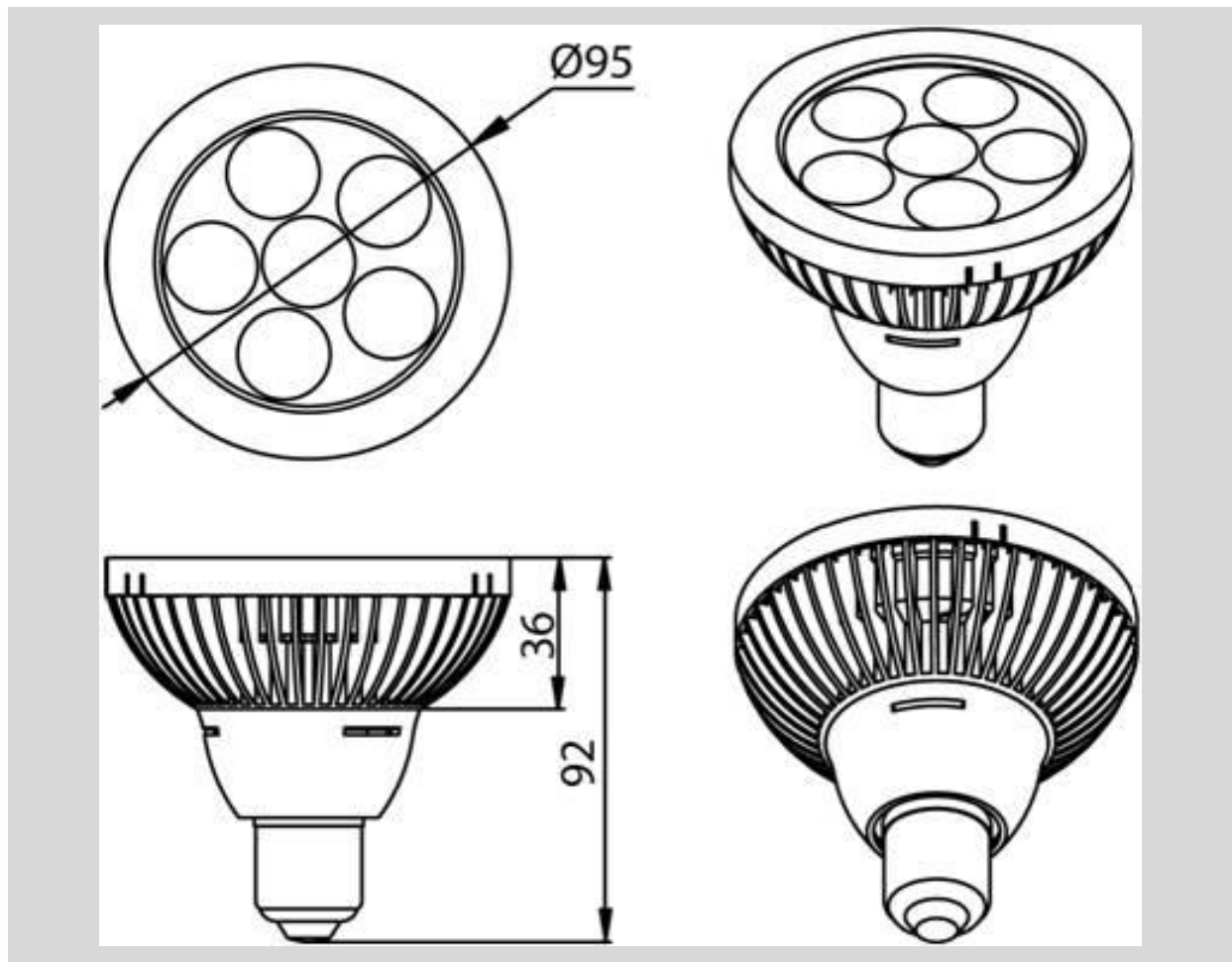
TECHNICAL SPECIFICATIONS

Power Consumption	10 Watts		
Input Voltage	100-240V AC		
Base Type	E26/E27 Standard Edison Screw-In Type		
Life Duration	50,000 Hours		
Light Beam Angle	25° Beam		
	40° Beam		
Emission Color	Cool White	6000K	
	Neutral White	4000K	
	Warm White	3000K	
Lumen Output (lux @ 1m)	COLOR	25° BEAM	40° BEAM
	Cool White	2850	1650
	Neutral White	2400	1300
	Warm White	2000	1000
Color Rendering Index (CRI)	Ra>90		
Absolute Maximum Ratings	LED Junction Temperature	125 °C	
	Plastic Housing Temp.	80 °C	
	Operating Temperature	-30 ~ +40 °C	
	Storage Temperature	-40 ~ +60 °C	
	Equilibrium Temperature	55 °C	
	Input Voltage	100-240V AC	
Materials: Housing / Heat Sink	Aluminum Alloy & PC / Internal Copper		
Dimensions (W x H)	95mm x 92mm		

TECHNICAL SPECIFICATIONS (continued)

Weight	215g
Certifications	CE, RoHS, UL

DIMENSIONS



NEW YORK
516 - 754 - 8328

EMAIL US
sales@seevisiontechnologies.com

FLORIDA
352 - 597 - 9025