

# Seevision Technologies Inc.

*Making America Greener One Light At A Time*

## **LED RECESSED & DOWN LIGHT PRODUCTS**

### 10 WATT PAR30 MODULE DIMMABLE LED LAMP



### SVT-PAR30SPM-10W

## **APPLICATIONS**

Designed to directly mount on any flat surface for a stylish & space saving alternative to halogen, incandescent & compact fluorescent lamps up to 75 Watts.

Low Profile / Ideal For Tight & Hard To Reach Lighting Applications

Interior Spot & Flood Lighting (available in both wide & narrow beam angles)

Office / Retail / Showcase & Display Lighting

Wall Washing / Accent & Decorative Lighting

**NEW YORK**  
**516 - 754 - 8328**

**EMAIL US**  
[sales@seevisiontechnologies.com](mailto:sales@seevisiontechnologies.com)

**FLORIDA**  
**352 - 597 - 9025**

**FEATURES & BENEFITS**

Lighting Energy Cost Savings	Energy consumption up to 80% less than standard PAR type lamps.
Air Conditioning Energy Cost Savings	Generates very low heat; reducing Air Conditioning energy consumption.
Replacement Lamp & Labor Cost Savings	Life duration is over 50,000 Hours; 10-20X longer than standard PAR type lamps.
Quick & Easy Surface Mount Installation	Designed to install/mount on any surface with the standard Twist-Lock T fitting (socket ring).
Durable & Safe Lamp Design	Impact resistant & shock-proof design; no fragile glass for improved safety & durability.
Bright & Clean Light Emittance	High color rendering index; over 10X the brightness per watt of standard PAR type lamps.
Environmentally Safe & Recyclable	Contains no harmful gases, mercury, sodium, lead or UV radiation (100% recyclable).
Green Rebates & Incentives	Qualifies for many Federal, State, Local Government & Utility based rebates & incentives.

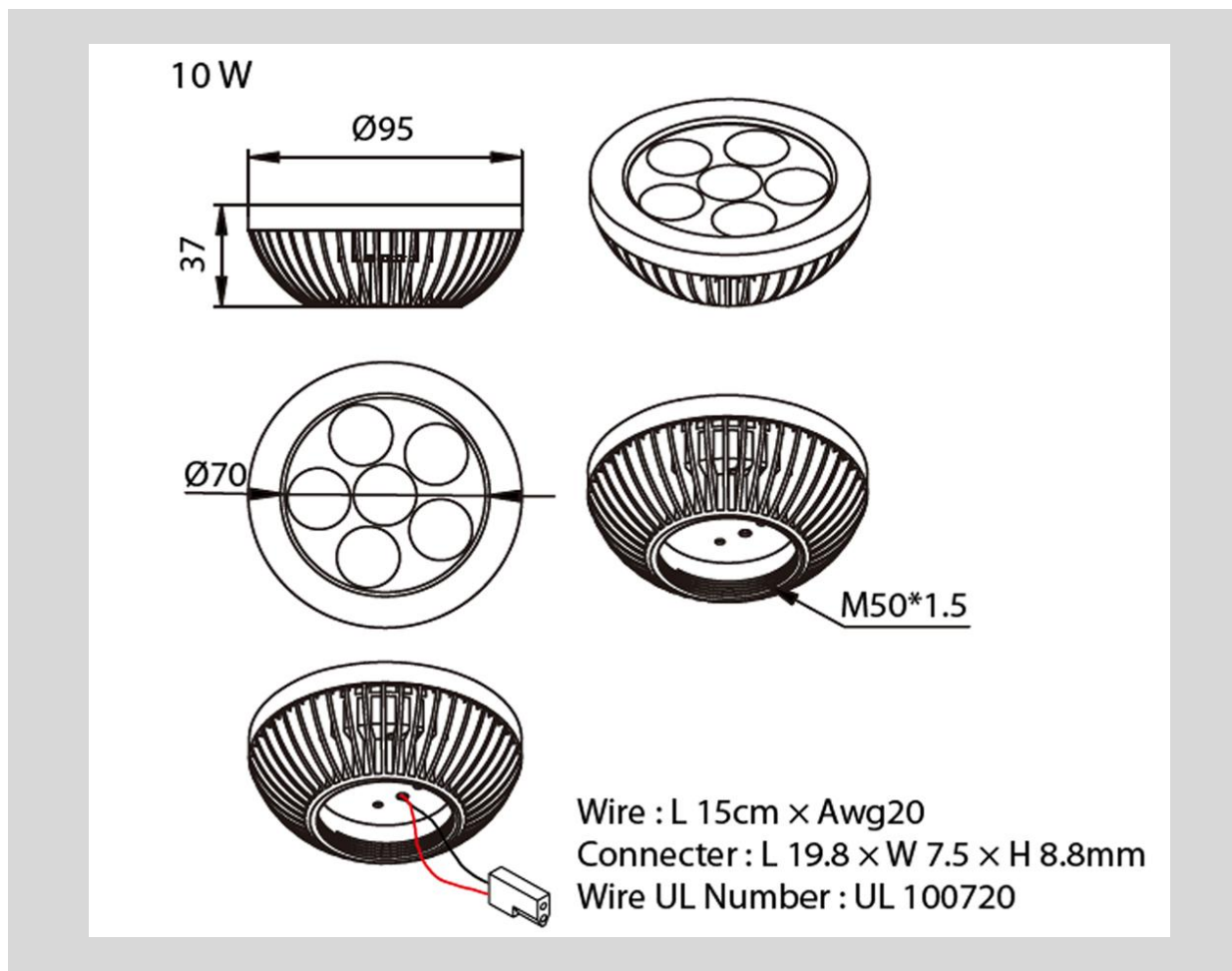
**TECHNICAL SPECIFICATIONS**

Power Consumption	10 Watts		
Input Voltage	24V DC		
Base Type	Standard Twist-Lock T Fitting (socket ring)		
Life Duration	50,000 Hours		
Light Beam Angle	25° Beam		
	40° Beam		
Emission Color	Cool White	6000K	
	Neutral White	4000K	
	Warm White	3000K	
	Red	625nm	
	Amber	590nm	
	Green	525nm	
Lumen Output (lux @ 1m)	COLOR	25° BEAM	40° BEAM
	Cool White	3700	1900
	Neutral White	2700	1650
	Warm White	2400	1400
	Red	325	290
	Amber	340	300
	Green	570	470
	Blue	85	75
Color Rendering Index (CRI)	>90		

**TECHNICAL SPECIFICATIONS (continued)**

Absolute Maximum Ratings	LED Junction Temperature	125 °C
	Constant Current	500 mA
	Operating Temperature	-30 ~ +40 °C
	Storage Temperature	-40 ~ +60 °C
	Equilibrium Temperature	60 °C
	Input Voltage	24V DC
Materials: Housing / Heat Sink	Aluminum Alloy & PC / Internal Copper	
Dimensions (W x H)	95mm x 37mm	
Weight	150g	
Certifications	CE, RoHS	

**DIMENSIONS**



**NEW YORK**  
 516 - 754 - 8328

**EMAIL US**  
[sales@seevisiontechnologies.com](mailto:sales@seevisiontechnologies.com)

**FLORIDA**  
 352 - 597 - 9025