

Seevision Technologies Inc.

Making America Greener One Light At A Time

LED RECESSED & DOWN LIGHT PRODUCTS

15 WATT PAR30 MODULE DIMMABLE LED LAMP



SVT-PAR30SPM-15W

APPLICATIONS

Designed to directly mount on any flat surface for a stylish & space saving alternative to halogen, incandescent & compact fluorescent lamps up to 100 Watts.

Low Profile / Ideal For Tight & Hard To Reach Lighting Applications

Interior Spot & Flood Lighting (available in both wide & narrow beam angles)

Office / Retail / Showcase & Display Lighting

Wall Washing / Accent & Decorative Lighting

NEW YORK
516 - 754 - 8328

EMAIL US
sales@seevisiontechnologies.com

FLORIDA
352 - 597 - 9025

FEATURES & BENEFITS

Lighting Energy Cost Savings	Energy consumption up to 80% less than standard PAR type lamps.
Air Conditioning Energy Cost Savings	Generates very low heat; reducing Air Conditioning energy consumption.
Replacement Lamp & Labor Cost Savings	Life duration is over 50,000 Hours; 10-20X longer than standard PAR type lamps.
Quick & Easy Surface Mount Installation	Designed to install/mount on any surface with the standard Twist-Lock T fitting (socket ring).
Durable & Safe Lamp Design	Impact resistant & shock-proof design; no fragile glass for improved safety & durability.
Bright & Clean Light Emittance	High color rendering index; over 10X the brightness per watt of standard PAR type lamps.
Environmentally Safe & Recyclable	Contains no harmful gases, mercury, sodium, lead or UV radiation (100% recyclable).
Green Rebates & Incentives	Qualifies for many Federal, State, Local Government & Utility based rebates & incentives.

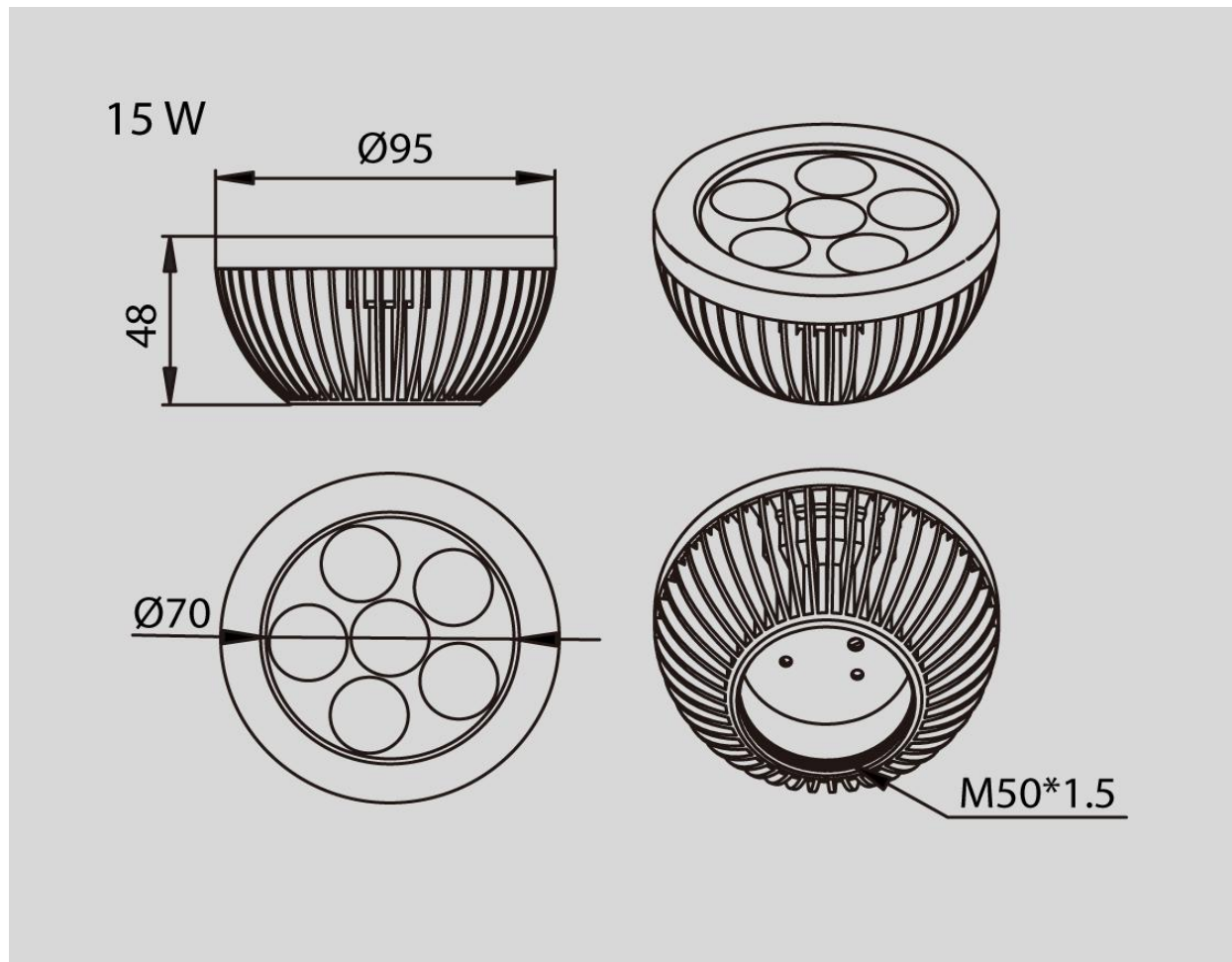
TECHNICAL SPECIFICATIONS

Power Consumption	15 Watts		
Input Voltage	24V DC		
Base Type	Standard Twist-Lock T Fitting (socket ring)		
Life Duration	50,000 Hours		
Light Beam Angle	25° Beam		
	40° Beam		
Emission Color	Cool White	6000K	
	Neutral White	4000K	
	Warm White	3000K	
	Red	625nm	
	Amber	590nm	
	Green	525nm	
Lumen Output (lux @ 1m)	COLOR	25° BEAM	40° BEAM
	Cool White	5200	2660
	Neutral White	3780	2310
	Warm White	3300	2200
	Red	420	380
	Amber	460	400
	Green	660	570
	Blue	115	100
Color Rendering Index (CRI)	90		

TECHNICAL SPECIFICATIONS (continued)

Absolute Maximum Ratings	LED Junction Temperature	125 °C
	Constant Current	700 mA
	Operating Temperature	-30 ~ +40 °C
	Storage Temperature	-40 ~ +60 °C
	Equilibrium Temperature	65 °C
	Input Voltage	24V DC
Materials: Housing / Heat Sink	Aluminum Alloy & PC / Internal Copper	
Dimensions (W x H)	95mm x 48mm	
Weight	200g	
Certifications	CE, RoHS	

DIMENSIONS



NEW YORK 516 - 754 - 8328	EMAIL US sales@seevisiontechnologies.com	FLORIDA 352 - 597 - 9025
-------------------------------------	---	------------------------------------