

# Seevision Technologies Inc.

*Making America Greener One Light At A Time*

## **LED RECESSED & DOWN LIGHT PRODUCTS CATALOG**



**NEW YORK**  
**516 - 754 - 8328**

**EMAIL US**  
[sales@seevisiontechnologies.com](mailto:sales@seevisiontechnologies.com)

**FLORIDA**  
**352 - 597 - 9025**

# Seevision Technologies Inc.

*Making America Greener One Light At A Time*

## **LED RECESSED & DOWN LIGHT PRODUCTS**

### 10 WATT PAR30 E26/E27 COMPACT LED LAMP



SVT-PAR30SPC-10W

## **APPLICATIONS**

Direct replacement of PAR E26/E27 screw in type halogen, incandescent and compact fluorescent lamps up to 75 Watts.

High Hat & Canister Lamp LED Replacement Solution

Interior Spot & Flood Lighting (available in both wide & narrow beam angles)

Office / Retail / Showcase & Display Lighting

Wall Washing / Accent & Decorative Lighting

**NEW YORK**  
**516 - 754 - 8328**

**EMAIL US**  
[sales@seevisiontechnologies.com](mailto:sales@seevisiontechnologies.com)

**FLORIDA**  
**352 - 597 - 9025**

**FEATURES & BENEFITS**

Lighting Energy Cost Savings	Energy consumption up to 80% less than standard PAR type lamps.
Air Conditioning Energy Cost Savings	Generates very low heat; reducing Air Conditioning energy consumption.
Replacement Lamp & Labor Cost Savings	Life duration is over 50,000 Hours; 10-20X longer than standard PAR type lamps.
Quick & Easy Plug & Power Installation	Installs directly into existing fixtures using the standard E26/E27 screw in type lamp base.
Durable & Safe Lamp Design	Impact resistant & shock-proof design; no fragile glass for improved safety & durability.
Bright & Clean Light Emittance	High color rendering index; over 10X the brightness per watt of standard PAR type lamps.
Environmentally Safe & Recyclable	Contains no harmful gases, mercury, sodium, lead or UV radiation (100% recyclable).
Green Rebates & Incentives	Qualifies for many Federal, State, Local Government & Utility based rebates & incentives.

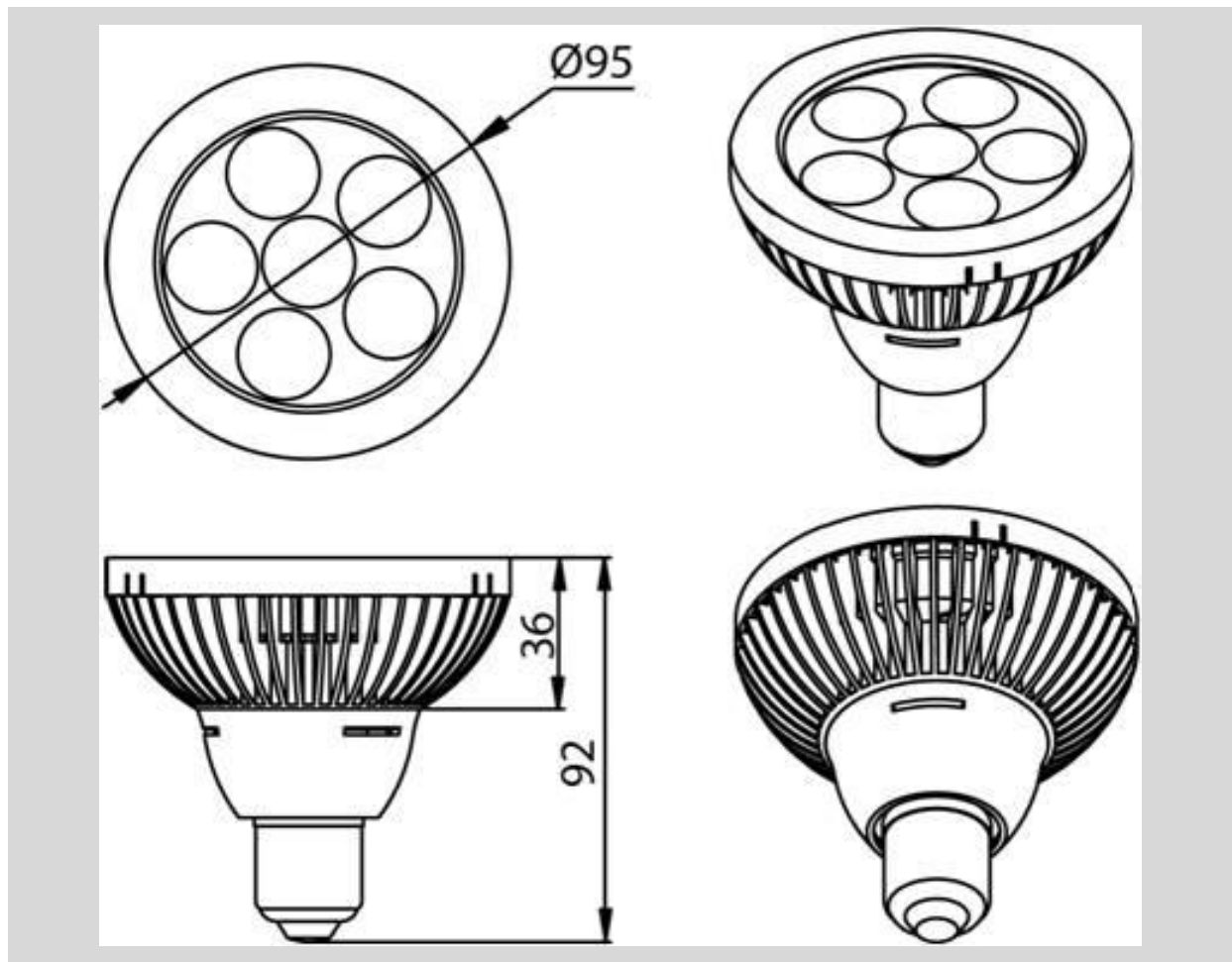
**TECHNICAL SPECIFICATIONS**

Power Consumption	10 Watts		
Input Voltage	100-240V AC		
Base Type	E26/E27 Standard Edison Screw-In Type		
Life Duration	50,000 Hours		
Light Beam Angle	25° Beam		
	40° Beam		
Emission Color	Cool White	6000K	
	Neutral White	4000K	
	Warm White	3000K	
Lumen Output (lux @ 1m)	<b>COLOR</b>	<b>25° BEAM</b>	<b>40° BEAM</b>
	Cool White	2850	1650
	Neutral White	2400	1300
	Warm White	2000	1000
Color Rendering Index (CRI)	Ra>90		
Absolute Maximum Ratings	LED Junction Temperature	125 °C	
	Plastic Housing Temp.	80 °C	
	Operating Temperature	-30 ~ +40 °C	
	Storage Temperature	-40 ~ +60 °C	
	Equilibrium Temperature	55 °C	
	Input Voltage	100-240V AC	
Materials: Housing / Heat Sink	Aluminum Alloy & PC / Internal Copper		
Dimensions (W x H)	95mm x 92mm		

**TECHNICAL SPECIFICATIONS (continued)**

Weight	215g
Certifications	CE, RoHS, UL

**DIMENSIONS**



**NEW YORK**  
**516 - 754 - 8328**

**EMAIL US**  
[sales@seevisiontechnologies.com](mailto:sales@seevisiontechnologies.com)

**FLORIDA**  
**352 - 597 - 9025**

# Seevision Technologies Inc.

*Making America Greener One Light At A Time*

## **LED RECESSED & DOWN LIGHT PRODUCTS**

### 10 WATT PAR30 E26/E27 DIMMABLE LED LAMP



### SVT-PAR30SPD-10W

## **APPLICATIONS**

Direct replacement of PAR E26/E27 screw in type halogen, incandescent and compact fluorescent lamps up to 75 Watts. Features digital dimming capability.

High Hat & Canister Lamp LED Replacement Solution

Interior Spot & Flood Lighting (available in both wide & narrow beam angles)

Office / Retail / Showcase & Display Lighting

Wall Washing / Accent & Decorative Lighting

**NEW YORK**  
**516 - 754 - 8328**

**EMAIL US**  
[sales@seevisiontechnologies.com](mailto:sales@seevisiontechnologies.com)

**FLORIDA**  
**352 - 597 - 9025**

**FEATURES & BENEFITS**

Lighting Energy Cost Savings	Energy consumption up to 80% less than standard PAR type lamps.
Air Conditioning Energy Cost Savings	Generates very low heat; reducing Air Conditioning energy consumption.
Replacement Lamp & Labor Cost Savings	Life duration is over 50,000 Hours; 10-20X longer than standard PAR type lamps.
Quick & Easy Plug & Power Installation	Installs directly into existing fixtures using the standard E26/E27 screw in type lamp base.
Durable & Safe Lamp Design	Impact resistant & shock-proof design; no fragile glass for improved safety & durability.
Bright & Clean Light Emittance	High color rendering index; over 10X the brightness per watt of standard PAR type lamps.
Environmentally Safe & Recyclable	Contains no harmful gases, mercury, sodium, lead or UV radiation (100% recyclable).
Green Rebates & Incentives	Qualifies for many Federal, State, Local Government & Utility based rebates & incentives.

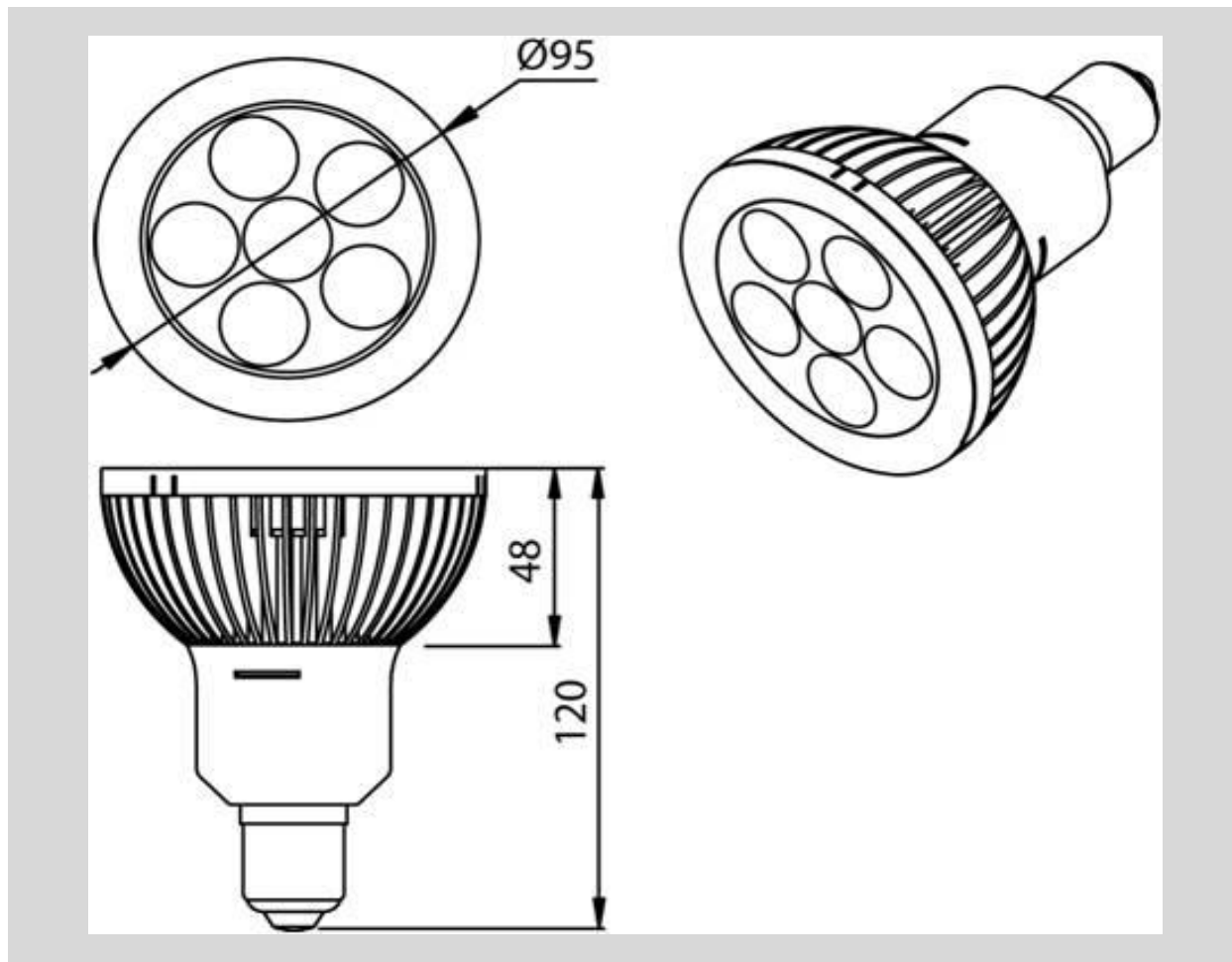
**TECHNICAL SPECIFICATIONS**

Power Consumption	10 Watts		
Input Voltage	100-240V AC		
Base Type	E26/E27 Standard Edison Screw-In Type		
Life Duration	50,000 Hours		
Light Beam Angle	25° Beam		
	40° Beam		
Emission Color	Cool White	6000K	
	Neutral White	4000K	
	Warm White	3000K	
Lumen Output (lux @ 1m)	<b>COLOR</b>	<b>25° BEAM</b>	<b>40° BEAM</b>
	Cool White	2850	1650
	Neutral White	2400	1300
	Warm White	2000	1000
Color Rendering Index (CRI)	Ra>90		
Absolute Maximum Ratings	LED Junction Temperature	125 °C	
	Plastic Housing Temp.	80 °C	
	Operating Temperature	-30 ~ +40 °C	
	Storage Temperature	-40 ~ +60 °C	
	Equilibrium Temperature	55 °C	
	Input Voltage	100-240V AC	
Materials: Housing / Heat Sink	Aluminum Alloy & PC / Internal Copper		
Dimensions (W x H)	95mm x 102mm		

**TECHNICAL SPECIFICATIONS (continued)**

Weight	280g
Certifications	CE, RoHS, UL

**DIMENSIONS**



**NEW YORK**  
**516 - 754 - 8328**

**EMAIL US**  
[sales@seevisiontechnologies.com](mailto:sales@seevisiontechnologies.com)

**FLORIDA**  
**352 - 597 - 9025**

# Seevision Technologies Inc.

*Making America Greener One Light At A Time*

## **LED RECESSED & DOWN LIGHT PRODUCTS**

### 10 WATT RETROFIT AR111 DOWN LIGHT LED LAMP



SVT-AR111-10W

## **APPLICATIONS**

Direct replacement of AR111 type halogen, incandescent and compact fluorescent lamps up to 75 Watts.

LED Replacement Solution For Existing AR111 Lamps

Interior Spot & Flood Lighting (available in both wide & narrow beam angles)

Office / Retail / Showcase & Display Lighting

Wall Washing / Accent & Decorative Lighting

**NEW YORK**  
**516 - 754 - 8328**

**EMAIL US**  
[sales@seevisiontechnologies.com](mailto:sales@seevisiontechnologies.com)

**FLORIDA**  
**352 - 597 - 9025**

**FEATURES & BENEFITS**

Lighting Energy Cost Savings	Energy consumption up to 80% less than standard AR111 type lamps.
Air Conditioning Energy Cost Savings	Generates very low heat; reducing Air Conditioning energy consumption.
Replacement Lamp & Labor Cost Savings	Life duration is over 50,000 Hours; 10-20X longer than standard AR111 type lamps.
Quick & Easy Plug & Power Installation	Installs directly into existing fixtures using the standard AR111 type lamp connectors.
Durable & Safe Lamp Design	Impact resistant & shock-proof design; no fragile glass for improved safety & durability.
Bright & Clean Light Emittance	High color rendering index; over 10X the brightness per watt of standard AR111 type lamps.
Environmentally Safe & Recyclable	Contains no harmful gases, mercury, sodium, lead or UV radiation (100% recyclable).
Green Rebates & Incentives	Qualifies for many Federal, State, Local Government & Utility based rebates & incentives.

**TECHNICAL SPECIFICATIONS**

Power Consumption	10 Watts		
Input Voltage	12V AC / DC		
Base Type	Standard AR111 Type Connection		
Life Duration	50,000 Hours		
Light Beam Angle	25° Beam		
	40° Beam		
Emission Color	Cool White	6000K	
	Neutral White	4000K	
	Warm White	3000K	
Lumen Output (lux @ 1m)	<b>COLOR</b>	<b>25° BEAM</b>	<b>40° BEAM</b>
	Cool White	3700	1900
	Neutral White	2700	1650
	Warm White	2400	1400
Color Rendering Index (CRI)	75 / 90		
Absolute Maximum Ratings	LED Junction Temperature	125 °C	
	Plastic Housing Temp.	80 °C	
	Operating Temperature	-30 ~ +40 °C	
	Storage Temperature	-40 ~ +60 °C	
	Equilibrium Temperature	55 °C	
	Surface Temperature	60 °C	
Housing Color Options	Black / White		
Dimensions (W x H)	111mm x 56mm		

**TECHNICAL SPECIFICATIONS (continued)**

Weight	215g
Certifications	CE, RoHS, FCC, EMC, UL

**DIMENSIONS**

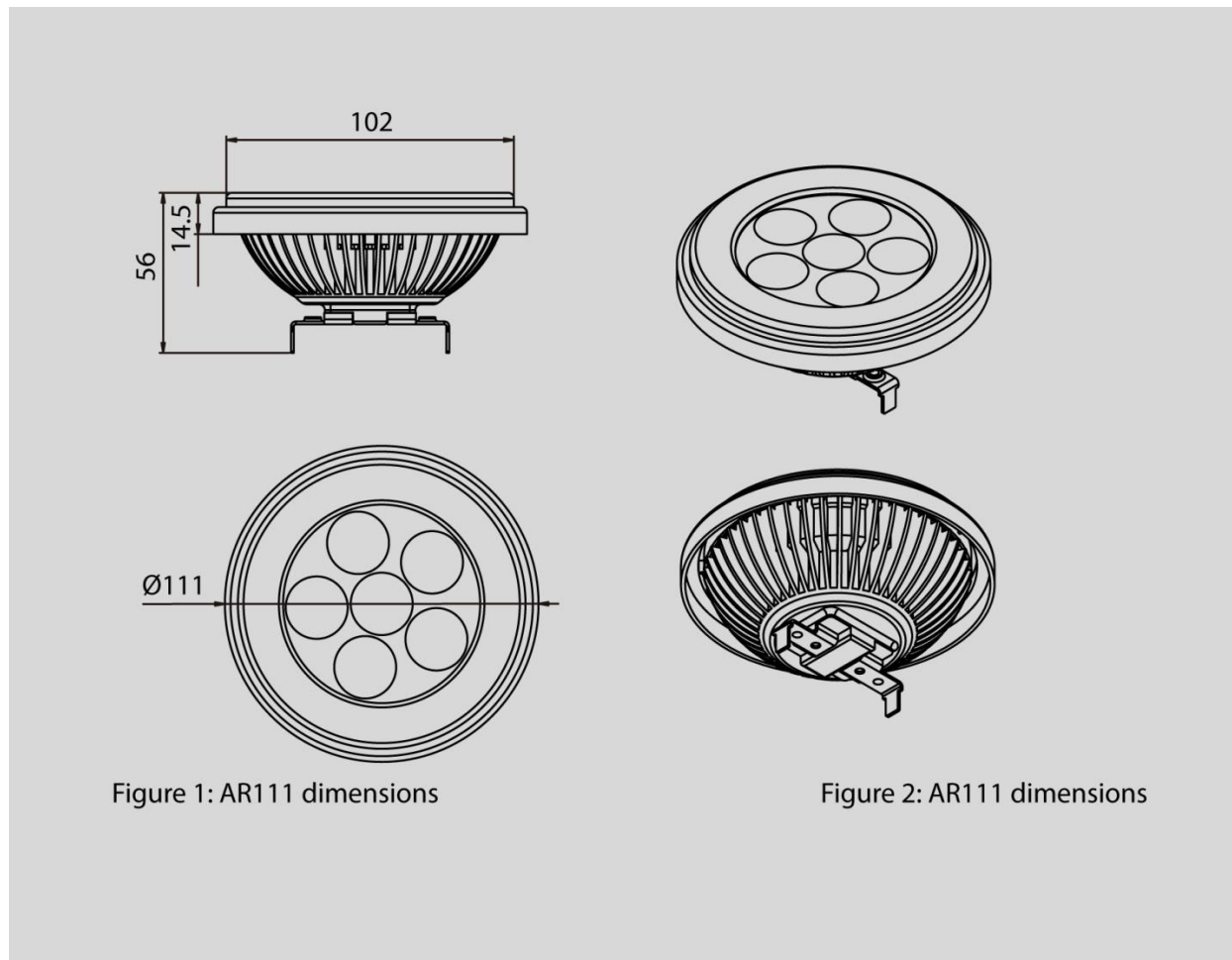


Figure 1: AR111 dimensions

Figure 2: AR111 dimensions

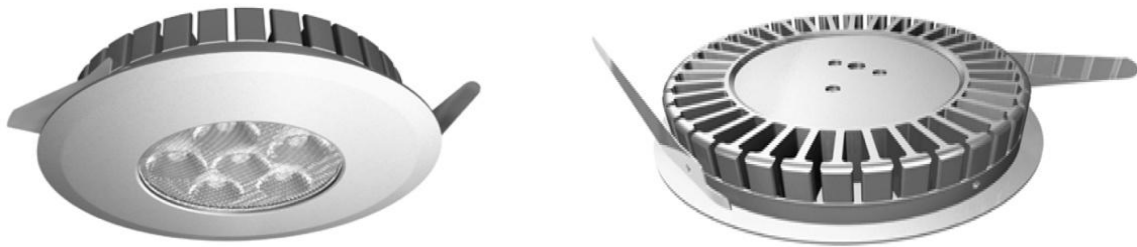
<b>NEW YORK</b> 516 - 754 - 8328	<b>EMAIL US</b> <a href="mailto:sales@seevisiontechnologies.com">sales@seevisiontechnologies.com</a>	<b>FLORIDA</b> 352 - 597 - 9025
-------------------------------------	---	------------------------------------

# Seevision Technologies Inc.

*Making America Greener One Light At A Time*

## **LED RECESSED & DOWN LIGHT PRODUCTS**

### 10 WATT INTEGRATED RECESSED DOWN LIGHT LED LAMP



SVT-DLF26-10W

## **APPLICATIONS**

Integrated lamp & fixture designed for a stylish and space saving alternative to halogen, incandescent & compact fluorescent lamps up to 75 Watts.

All-Inclusive Recessed Down Light LED Solution / Ideal for Tight Spaces

Interior Spot & Flood Lighting (available in both wide & narrow beam angles)

Office / Retail / Showcase & Display Lighting

Wall Washing / Accent & Decorative Lighting

**NEW YORK**  
**516 - 754 - 8328**

**EMAIL US**  
[sales@seevisiontechnologies.com](mailto:sales@seevisiontechnologies.com)

**FLORIDA**  
**352 - 597 - 9025**

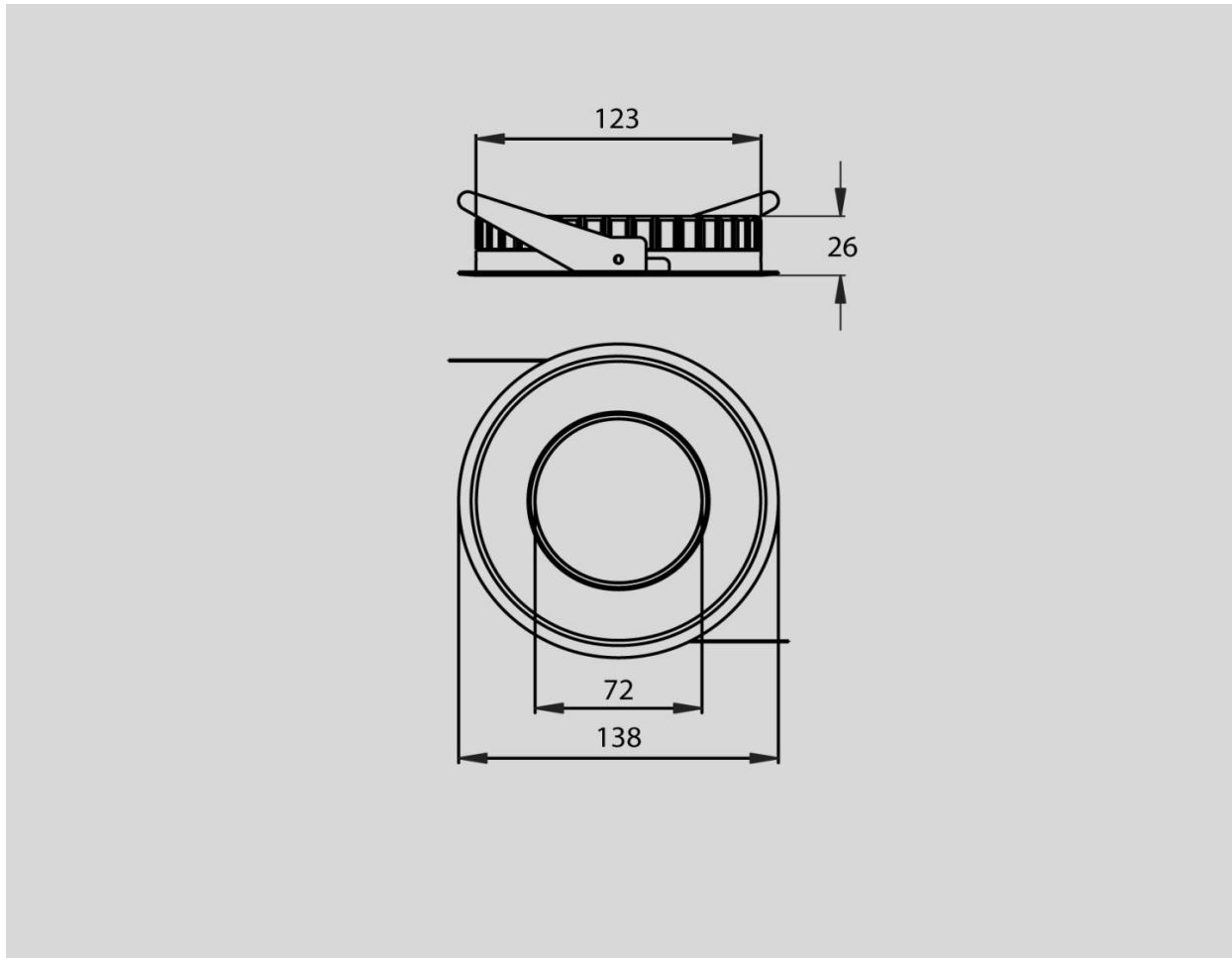
**FEATURES & BENEFITS**

Lighting Energy Cost Savings	Energy consumption up to 80% less than standard Down Light type lamps.
Air Conditioning Energy Cost Savings	Generates very low heat; reducing Air Conditioning energy consumption.
Replacement Lamp & Labor Cost Savings	Life duration is over 50,000 Hours; 10-20X longer than standard Down Light type lamps.
All-In-One Lamp & Fixture For Quick & Easy Installation	Installs in 3 easy steps 1. Cut hole 2. Connect the power 3. Twist Lock in place.
Durable & Safe Lamp Design	Impact resistant & shock-proof design; no fragile glass for improved safety & durability.
Bright & Clean Light Emittance	High color rendering index; over 10X the brightness per watt of standard Down Light type lamps.
Environmentally Safe & Recyclable	Contains no harmful gases, mercury, sodium, lead or UV radiation (100% recyclable).
Green Rebates & Incentives	Qualifies for many Federal, State, Local Government & Utility based rebates & incentives.

**TECHNICAL SPECIFICATIONS**

Power Consumption	10 Watts		
Input Voltage	100-240V AC		
Driver	500ma / 12W		
Life Duration	50,000 Hours		
Light Beam Angle	25° Beam		
	40° Beam		
Emission Color	Cool White	6000K	
	Neutral White	4000K	
	Warm White	3000K	
Lumen Output (lux @ 1m)	<b>COLOR</b>	<b>25° BEAM</b>	<b>40° BEAM</b>
	Cool White	2850	1650
	Neutral White	2400	1300
	Warm White	2000	1000
Color Rendering Index (CRI)	Ra>90		
Surface Temperature	56 °C		
Dimensions (W x H)	138mm x 26mm		
Weight	390g		
Certifications	CE, RoHS, UL Pending		

***DIMENSIONS***



**NEW YORK**  
**516 - 754 - 8328**

**EMAIL US**  
[sales@seevisiontechnologies.com](mailto:sales@seevisiontechnologies.com)

**FLORIDA**  
**352 - 597 - 9025**

# Seevision Technologies Inc.

*Making America Greener One Light At A Time*

## **LED RECESSED & DOWN LIGHT PRODUCTS**

### 10 WATT PAR30 MODULE DIMMABLE LED LAMP



### SVT-PAR30SPM-10W

## **APPLICATIONS**

Designed to directly mount on any flat surface for a stylish & space saving alternative to halogen, incandescent & compact fluorescent lamps up to 75 Watts.

Low Profile / Ideal For Tight & Hard To Reach Lighting Applications

Interior Spot & Flood Lighting (available in both wide & narrow beam angles)

Office / Retail / Showcase & Display Lighting

Wall Washing / Accent & Decorative Lighting

**NEW YORK**  
**516 - 754 - 8328**

**EMAIL US**  
[sales@seevisiontechnologies.com](mailto:sales@seevisiontechnologies.com)

**FLORIDA**  
**352 - 597 - 9025**

**FEATURES & BENEFITS**

Lighting Energy Cost Savings	Energy consumption up to 80% less than standard PAR type lamps.
Air Conditioning Energy Cost Savings	Generates very low heat; reducing Air Conditioning energy consumption.
Replacement Lamp & Labor Cost Savings	Life duration is over 50,000 Hours; 10-20X longer than standard PAR type lamps.
Quick & Easy Surface Mount Installation	Designed to install/mount on any surface with the standard Twist-Lock T fitting (socket ring).
Durable & Safe Lamp Design	Impact resistant & shock-proof design; no fragile glass for improved safety & durability.
Bright & Clean Light Emittance	High color rendering index; over 10X the brightness per watt of standard PAR type lamps.
Environmentally Safe & Recyclable	Contains no harmful gases, mercury, sodium, lead or UV radiation (100% recyclable).
Green Rebates & Incentives	Qualifies for many Federal, State, Local Government & Utility based rebates & incentives.

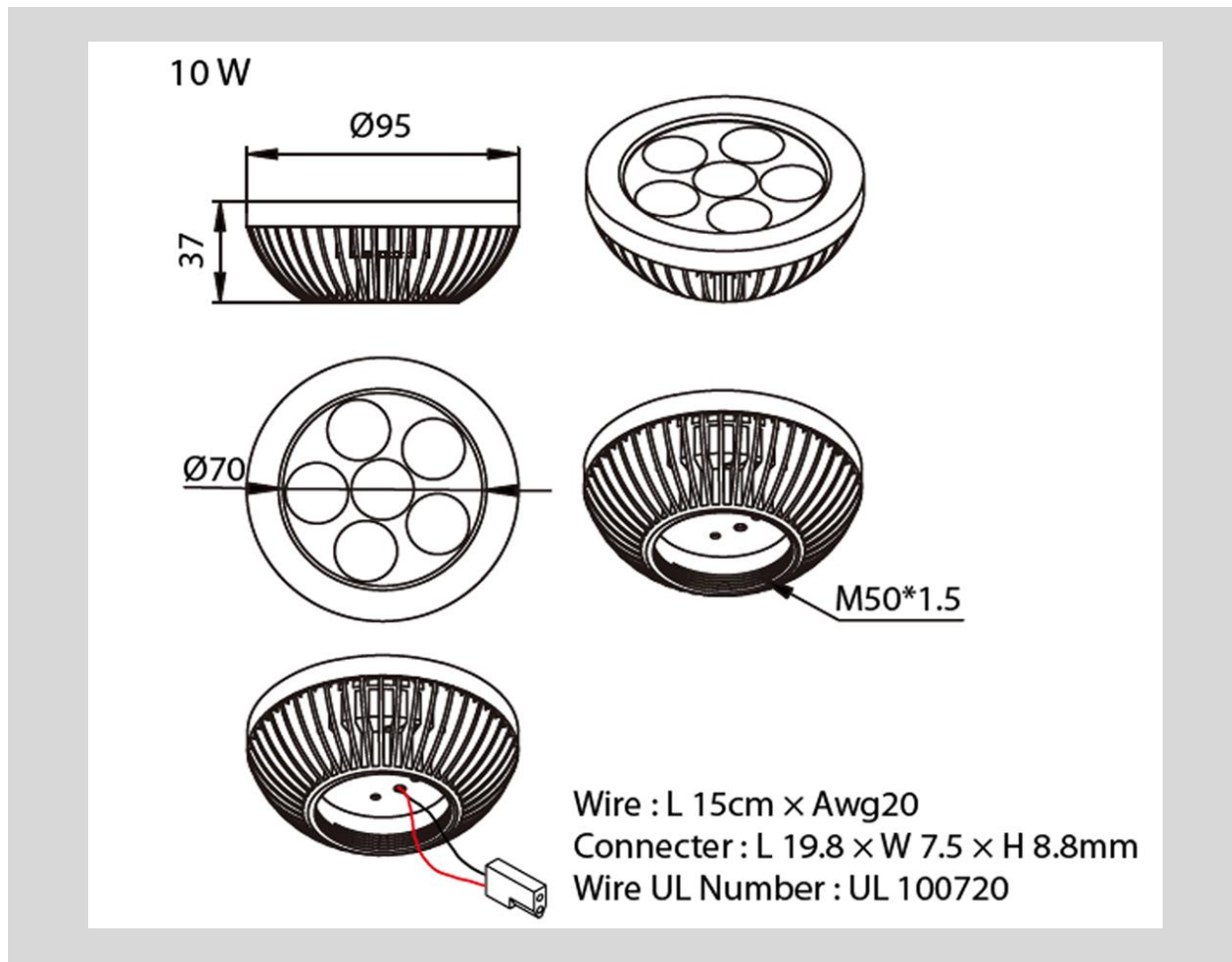
**TECHNICAL SPECIFICATIONS**

Power Consumption	10 Watts		
Input Voltage	24V DC		
Base Type	Standard Twist-Lock T Fitting (socket ring)		
Life Duration	50,000 Hours		
Light Beam Angle	25° Beam		
	40° Beam		
Emission Color	Cool White	6000K	
	Neutral White	4000K	
	Warm White	3000K	
	Red	625nm	
	Amber	590nm	
	Green	525nm	
Lumen Output (lux @ 1m)	COLOR	25° BEAM	40° BEAM
	Cool White	3700	1900
	Neutral White	2700	1650
	Warm White	2400	1400
	Red	325	290
	Amber	340	300
	Green	570	470
	Blue	85	75
Color Rendering Index (CRI)	>90		

**TECHNICAL SPECIFICATIONS (continued)**

Absolute Maximum Ratings	LED Junction Temperature	125 °C
	Constant Current	500 mA
	Operating Temperature	-30 ~ +40 °C
	Storage Temperature	-40 ~ +60 °C
	Equilibrium Temperature	60 °C
	Input Voltage	24V DC
Materials: Housing / Heat Sink	Aluminum Alloy & PC / Internal Copper	
Dimensions (W x H)	95mm x 37mm	
Weight	150g	
Certifications	CE, RoHS	

**DIMENSIONS**



**NEW YORK**  
 516 - 754 - 8328

**EMAIL US**  
[sales@seevisiontechnologies.com](mailto:sales@seevisiontechnologies.com)

**FLORIDA**  
 352 - 597 - 9025

# Seevision Technologies Inc.

*Making America Greener One Light At A Time*

## **LED RECESSED & DOWN LIGHT PRODUCTS**

### 15 WATT PAR30 MODULE DIMMABLE LED LAMP



### SVT-PAR30SPM-15W

## **APPLICATIONS**

Designed to directly mount on any flat surface for a stylish & space saving alternative to halogen, incandescent & compact fluorescent lamps up to 100 Watts.

Low Profile / Ideal For Tight & Hard To Reach Lighting Applications

Interior Spot & Flood Lighting (available in both wide & narrow beam angles)

Office / Retail / Showcase & Display Lighting

Wall Washing / Accent & Decorative Lighting

**NEW YORK**  
**516 - 754 - 8328**

**EMAIL US**  
[sales@seevisiontechnologies.com](mailto:sales@seevisiontechnologies.com)

**FLORIDA**  
**352 - 597 - 9025**

**FEATURES & BENEFITS**

Lighting Energy Cost Savings	Energy consumption up to 80% less than standard PAR type lamps.
Air Conditioning Energy Cost Savings	Generates very low heat; reducing Air Conditioning energy consumption.
Replacement Lamp & Labor Cost Savings	Life duration is over 50,000 Hours; 10-20X longer than standard PAR type lamps.
Quick & Easy Surface Mount Installation	Designed to install/mount on any surface with the standard Twist-Lock T fitting (socket ring).
Durable & Safe Lamp Design	Impact resistant & shock-proof design; no fragile glass for improved safety & durability.
Bright & Clean Light Emittance	High color rendering index; over 10X the brightness per watt of standard PAR type lamps.
Environmentally Safe & Recyclable	Contains no harmful gases, mercury, sodium, lead or UV radiation (100% recyclable).
Green Rebates & Incentives	Qualifies for many Federal, State, Local Government & Utility based rebates & incentives.

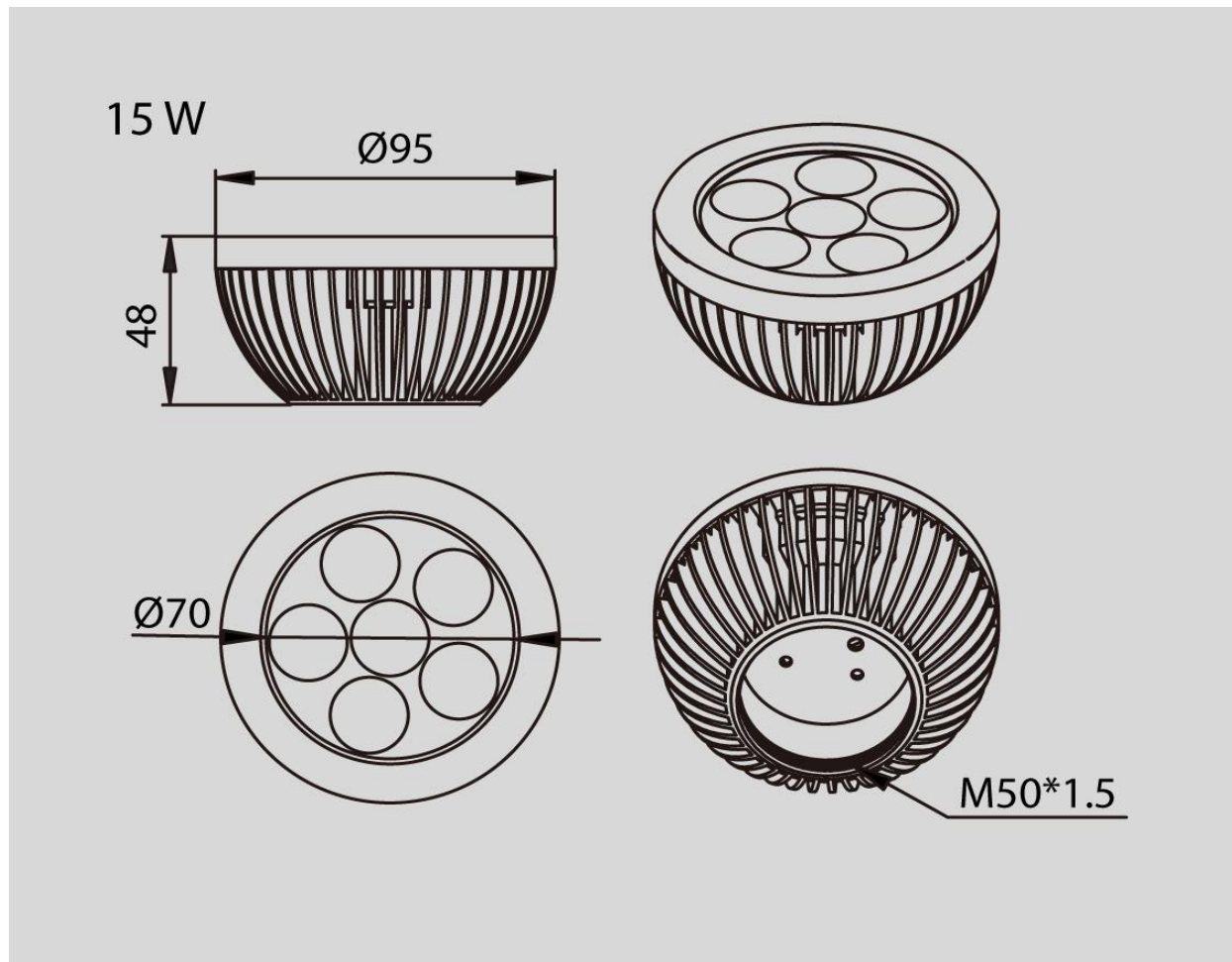
**TECHNICAL SPECIFICATIONS**

Power Consumption	15 Watts		
Input Voltage	24V DC		
Base Type	Standard Twist-Lock T Fitting (socket ring)		
Life Duration	50,000 Hours		
Light Beam Angle	25° Beam		
	40° Beam		
Emission Color	Cool White	6000K	
	Neutral White	4000K	
	Warm White	3000K	
	Red	625nm	
	Amber	590nm	
	Green	525nm	
Lumen Output (lux @ 1m)	COLOR	25° BEAM	40° BEAM
	Cool White	5200	2660
	Neutral White	3780	2310
	Warm White	3300	2200
	Red	420	380
	Amber	460	400
	Green	660	570
	Blue	115	100
Color Rendering Index (CRI)	90		

**TECHNICAL SPECIFICATIONS (continued)**

Absolute Maximum Ratings	LED Junction Temperature	125 °C
	Constant Current	700 mA
	Operating Temperature	-30 ~ +40 °C
	Storage Temperature	-40 ~ +60 °C
	Equilibrium Temperature	65 °C
	Input Voltage	24V DC
Materials: Housing / Heat Sink	Aluminum Alloy & PC / Internal Copper	
Dimensions (W x H)	95mm x 48mm	
Weight	200g	
Certifications	CE, RoHS	

**DIMENSIONS**



<b>NEW YORK</b> 516 - 754 - 8328	<b>EMAIL US</b> <a href="mailto:sales@seevisiontechnologies.com">sales@seevisiontechnologies.com</a>	<b>FLORIDA</b> 352 - 597 - 9025
-------------------------------------	---	------------------------------------