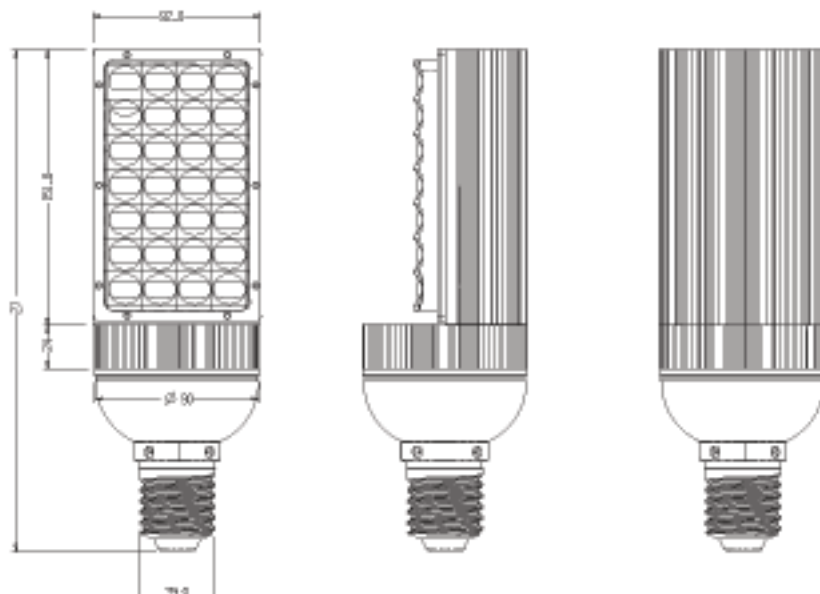


# SVT-SLLU1-28W /90SP-28W LED High Power Street light Lamp

## Installation Guide



**The right picture is the effect which we use the high power led street lamp to replace the conventional high pressure sodium lamp in the existing lamp shade.**

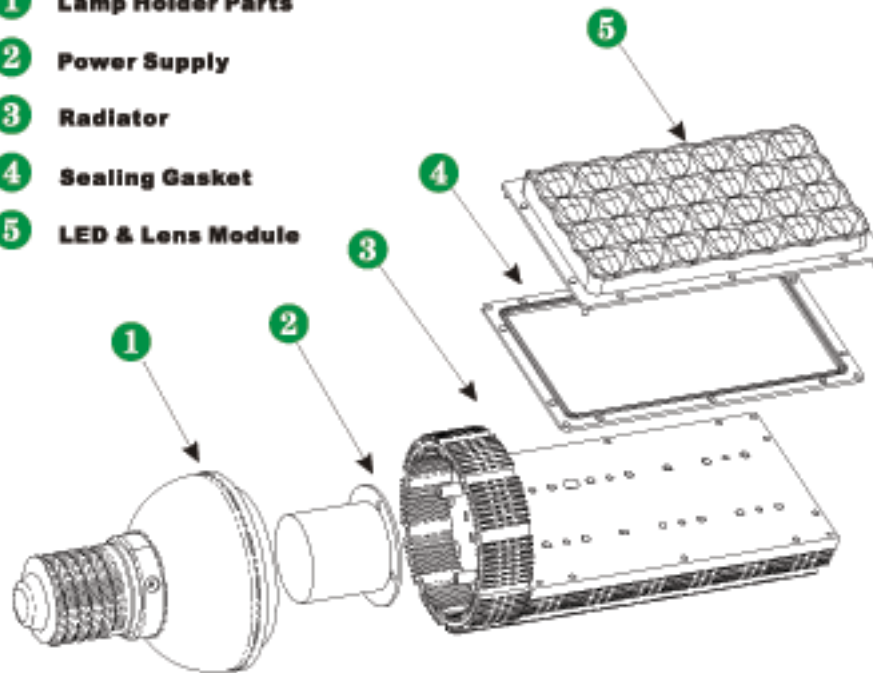
**Remove the existing light source, connect the 220VAC or 110VAC input terminal direct with the lampholders. Do not use the original rectifier, otherwise, the high voltage will burn the LED.**



# SVT-SLLU1-28W /90SP28W LED High Power Street Light Lamp

SVT-SLLU1/90SP28W lamp anatomical drawings  
Light source componets and names:

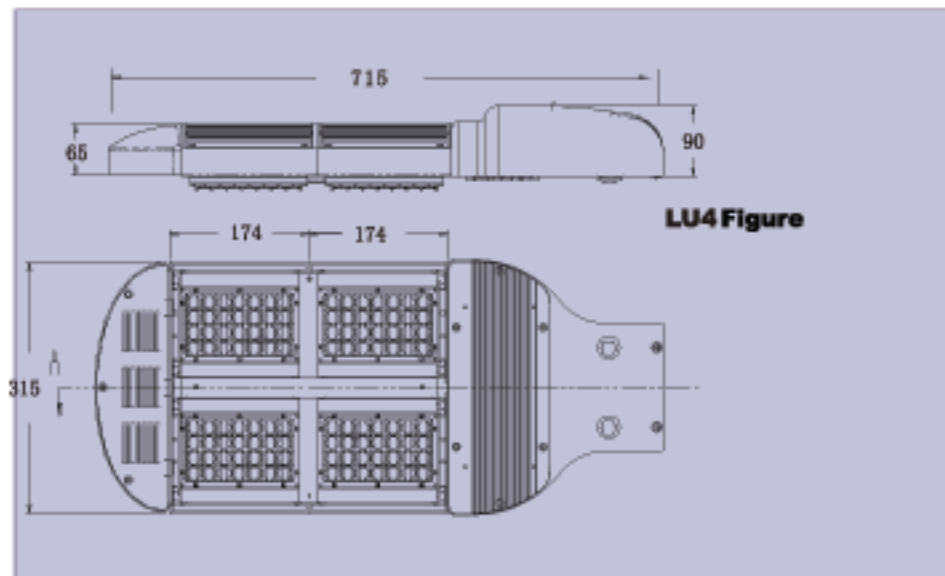
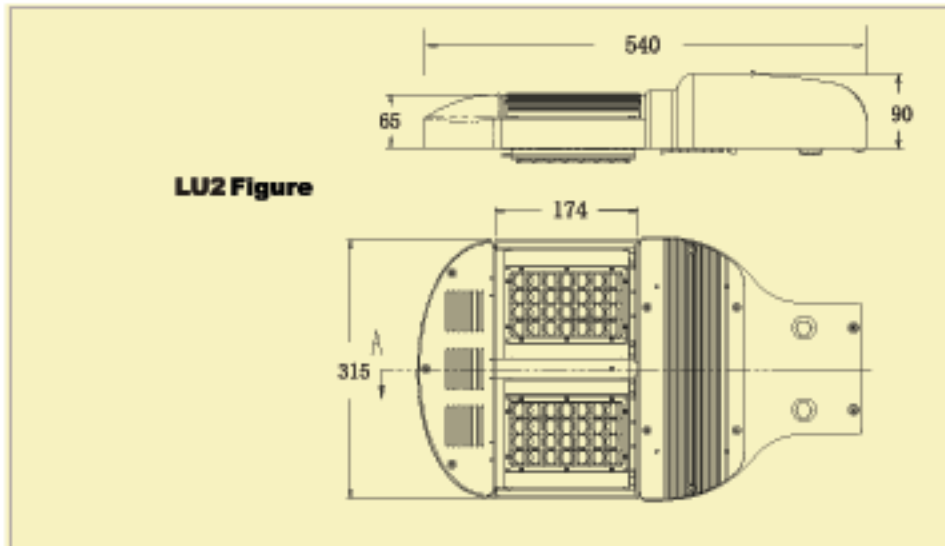
- 1 Lamp Holder Parts
- 2 Power Supply
- 3 Radiator
- 4 Sealing Gasket
- 5 LED & Lens Module



# SVT-SLLU2-56W / SVT-SLLU4-112W

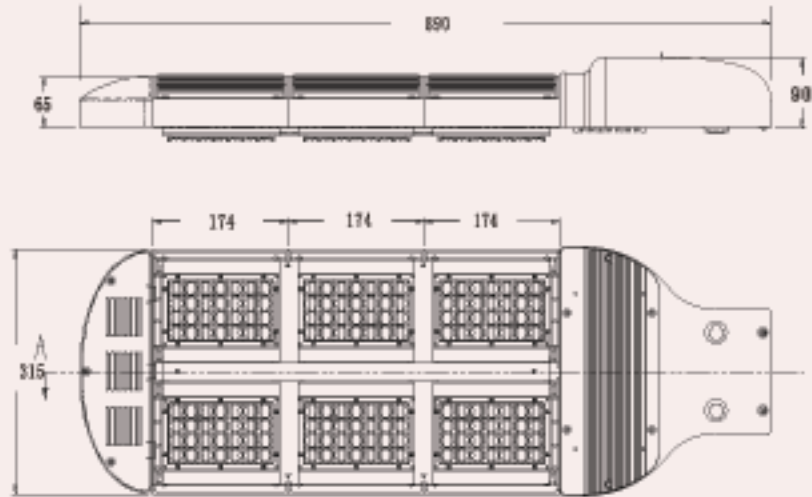
## Integrated High Power LED Street Lamp Installation Method

### I. Integrated High Power LED Street Lamp Figure

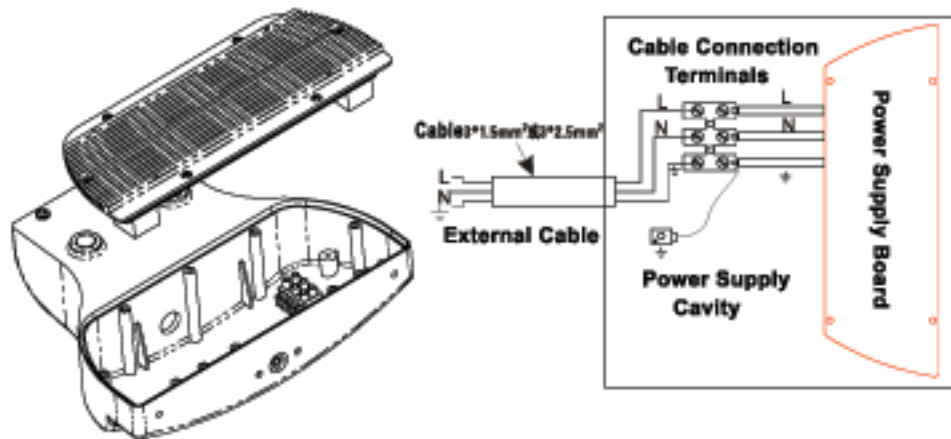


# SVT-SLLU6-168W INSTALLATION GUIDE

**LU6 Figure**



## II. Integrated High Power LED Street Lamp Power Supply Cavity Structure and Connection Diagrams

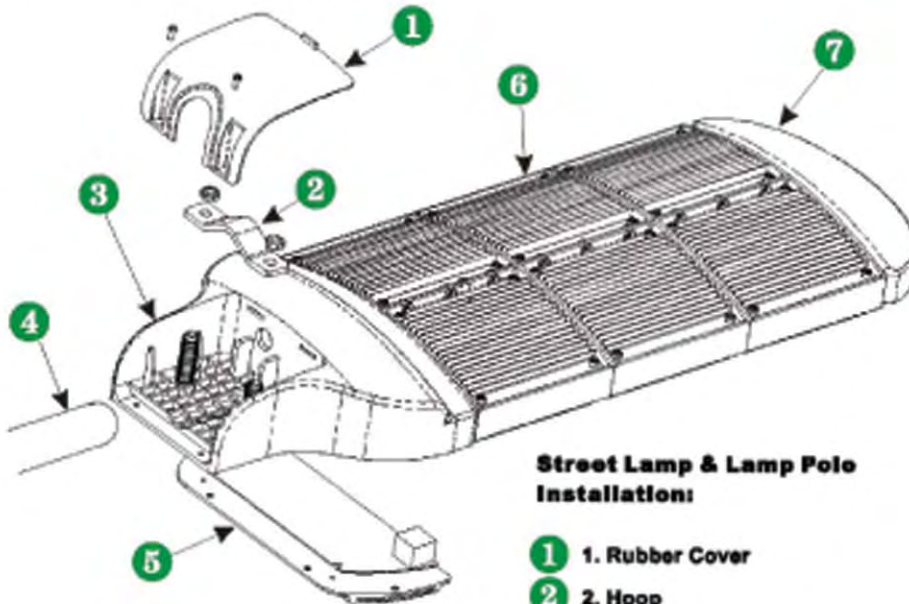


## SVT-SLLU2-56W / SVT-SLLU4-112W / SVT-SLLU6-168W

### III. Integrated High Power LED Street Lamp and Lamp Pole Installation Method

#### Installation of LED Street Lights and Lamps

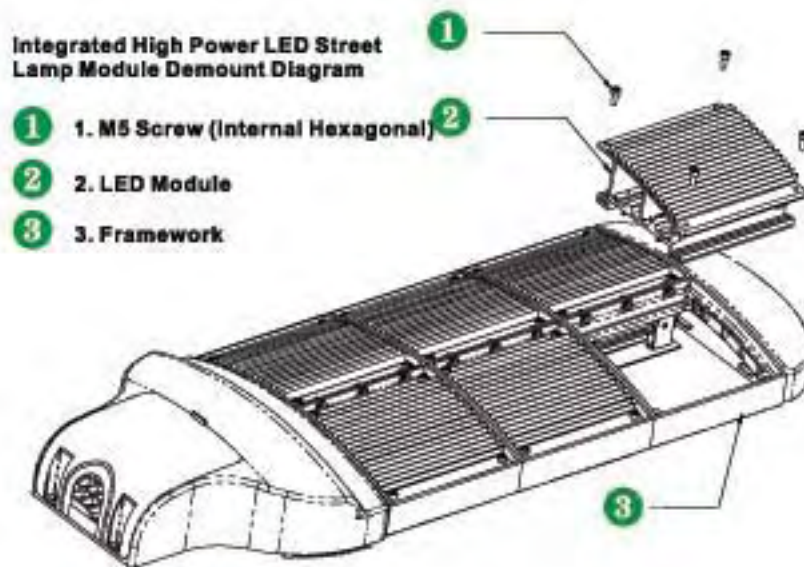
1. Demount the black rubber cover
2. Put the bolt into the hoop. Adjust the hoop to the suitable place according the lamp pole's diameter, and then put the street lamp on the lamp pole;
3. Locking the two M10 nut, fastening the lamp on the lamp pole (pay attention to adjust the angle of the lamp when locking);
4. Demount the board on the power supply;
5. Put the cable into the power supply cavity through the cable fixture, and then fix the cable on the cable Terminals;
6. Locking the cable fixture head (The cable should have sufficient length to prevent break off);
7. Mount the board on the power supply;
8. Mount the black rubber cover at last.



#### Street Lamp & Lamp Pole Installation:

1. Rubber Cover
2. Hoop
3. Tailstock
4. Lamp Pole
5. Board of Power Supply
6. Module & Framework
7. Head Framework

#### IV. Integrated High Power LED Street Lamp Module Mount & Demount Method



##### Modules Demounting

1. Demount the 4 screw fixation from the radiator;
2. Pick up the LED module slightly, and then slide it to the outside;
3. Overturn the LED module, take the radiator out to a certain position;
4. Unplug the power supply cable, remove the entire LED module.

##### Modules Mounting

1. Put the LED module on a suitable position on the framework, connect the power supply plug;
2. Put the outside of the module to the available place first, then put in the whole module;
3. Note there should no cable drop or block on the bottom of the framework which cause the decorative plate deformation;
4. Put the screws on the right place of the module, then tight the 4 fixed screw.